

Application

- Can be used to transfer clean water or other liquids similar to water in physical and chemical properties
- Suitable for industrial use and urban water supply, pressure boosting for high buildings and fire fighting, garden irrigation, long-distance water transfer, heating ventilation and air conditioning, circulation and pressure boosting for cold and hot water, and supporting equipment etc.

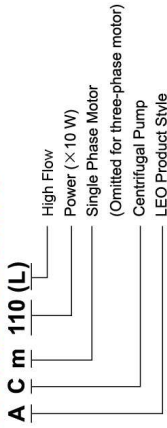
Pump

- Cast iron pump body and support under special anti-rust treatment
- ANSI 304 shaft
- Max. liquid temperature: +60°C
- Max. suction: +8 m

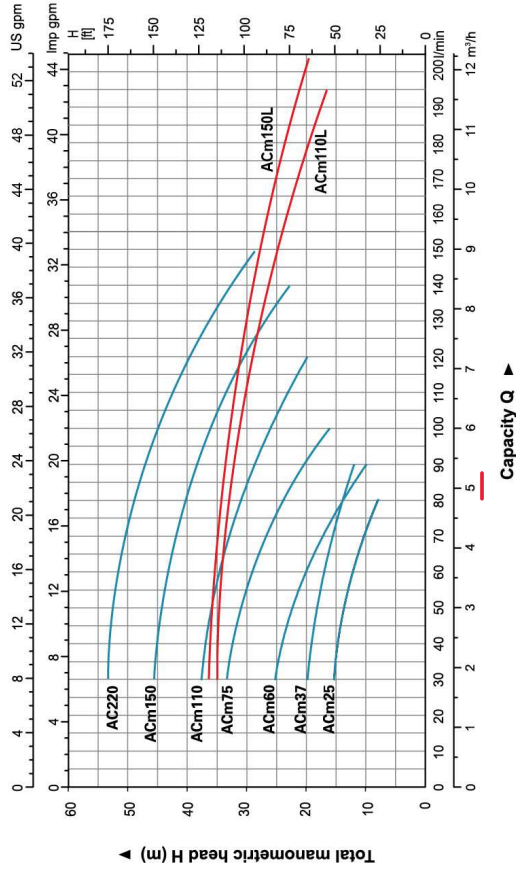
Motor

- C&U bearing
- Motor with copper winding
- Built-in thermal protector for single phase motor
- Insulation class: F
- Protection class: IPX4
- Max. ambient temperature: +40°C
- IE 2 motor (Three phase, power ≥ 0.75 kW)

Identification Codes

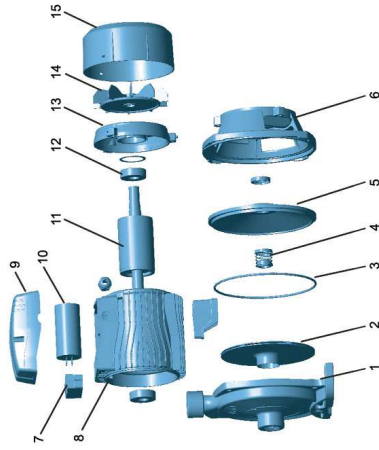


Hydraulic Performance Curves



Materials Table

No.	Part	Material
1	Pump body	HT200
2	Impeller	ANSI 304
3	O-ring	NBR
4	Mechanical seal	Carboron/Ceramic
5	Support cover	ANSI 304/HT200
6	Support	ZL102
7	Terminal board	PC
8	Stator	PA6-GF25
9	Terminal box	PA6-GF25
10	Capacitor	
11	Rotor	
12	Bearing	
13	Rear cover	ZL102
14	Fan	PP
15	Fan cover	PP

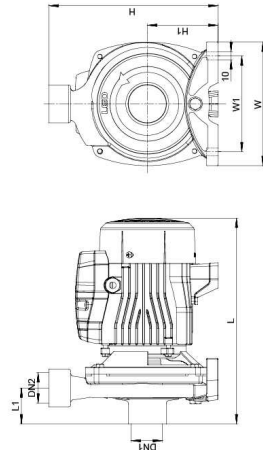


Technical Data

MODEL	POWER		Q (m ³ /h)	Q (l/min)	H (m)	DN1	DN2	L (mm)	W (mm)	H (mm)	L ₁ (mm)	W ₁ (mm)	H ₁ (mm)
	Three Phase	HP											
ACm25	0.25	0.3	0	0	0	0	0	0	0	0	0	0	0
ACm37	0.37	0.5	23	21.5	21	21	21	20.5	19.5	18	17	15.5	14.5
ACm60	0.6	0.8	27	26.5	26.2	26	26	24.5	22.5	20	17	15.5	14
ACm75	0.75	1.0	36	35	34	33.5	32	31	29	27	26	23.5	20
ACm110	1.1	1.5	40	39	38	38	37.5	36	35	33	32	29	26
ACm150	1.5	2	48	47.5	47	46.5	45.5	44.5	43.5	42.5	41.5	40.5	39
---	---	---	55	54.5	53	53.5	53	52.5	51.5	50.5	49.5	48.5	47
ACm110L	1.1	1.5	34.5	34.3	34.2	34.1	34	33.8	33.5	33	32.5	32.3	32
ACm150L	1.5	2	37.5	37.2	37	36.9	36.6	36.2	35.8	35.4	35	34.8	34.7

Dimension

Model	DN1	DN2	L (mm)	W (mm)	H (mm)	L ₁ (mm)	W ₁ (mm)	H ₁ (mm)
ACm25			270	157	216	42	122	90
ACm37	1"	1"	270	157	216	42	122	90
ACm60			298	180	240	44	160	90
ACm75			298	180	240	44	160	100
ACm110	1 1/4"	1"	359	206	263	50	178	112
ACm150			360	240	286	51	207	115
AC220			360	240	286	51	207	115
ACm110L	1 1/2"	1"	356	206	265	48.5	178	112
ACm150L			356	206	265	48.5	178	112



Package Information

Model	GW (Kgs)	L (mm)	W (mm)	H (mm)	Quantity (PCS/20 TEU)
ACm25	7.9	290	185	239	2124
ACm37	8.4	290	185	239	2124
ACm60	11.5	333	215	260	1384
ACm75	13.4	333	215	260	1384
ACm110	18.45	383	233	287	987
ACm150	22.8	425	265	310	770
AC220	23.3	425	265	310	770
ACm110L	18.4	383	233	287	987
ACm150L	19.35	383	233	287	987

