

Application

- Can be used to transfer clean water or other liquids similar to water in physical and chemical properties
- Suitable for lifting water from the well, sprinkling irrigation in garden, pressure boosting of running water, and supporting equipment etc.

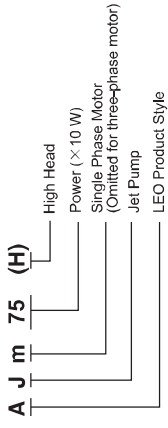
Pump

- Cast iron pump body and support under special anti-rust treatment
- Stainless steel impeller
- AISI 304 shaft
- Max. liquid temperature: +40°C
- Max. suction: +9 m

Motor

- C&U bearing
- Motor with copper winding
- Built-in thermal protector for single phase motor
- Insulation class: F
- Protection class: IPX4
- Max. ambient temperature: +40°C

Identification Codes

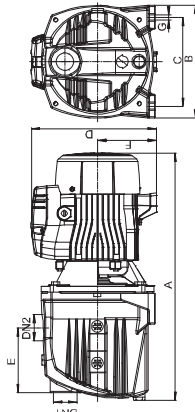


Technical Data

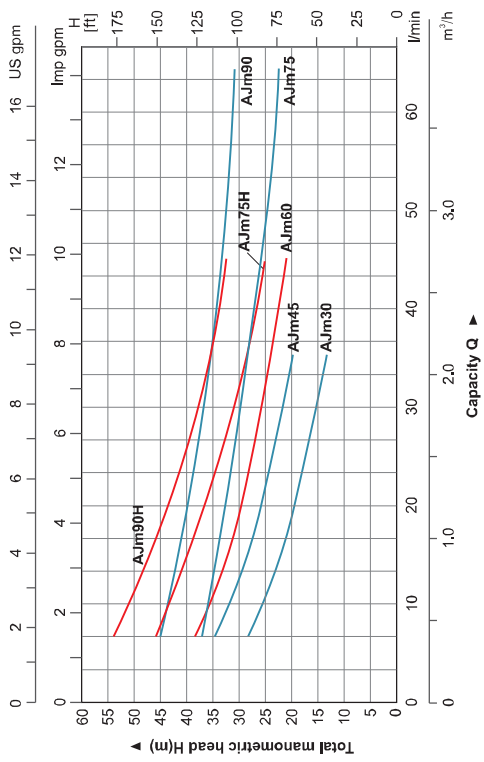
MODEL	POWER		Q (m³/h)		Q (l/min)		H (m)											
	kW	HP	0	0.3	0.6	0.9	1.2	1.5	1.8	2.1	2.4	2.8	3.0	3.3	3.6	3.9		
AJm30	0.3	0.4	35	30	26	22.5	20	18	16	14	-	-	-	-	-	-		
AJm45	0.45	0.6	41	36	32	28	25	22	20	18	-	-	-	-	-	-		
AJm60	0.6	0.8	45	41	37	33.5	31	28.5	26	24	22.5	21	-	-	-	-		
AJm75	0.75	1.0	40	38	36	34.5	33	31.5	30	29	28	27	26	25	24	23		
AJm75H	0.75	1.0	51	47	43	40	37	34.5	32	30	27.5	25	-	-	-	-		
AJm90	0.9	1.2	48	46	44	42.5	41	39.5	38	36	35	34	33	32	31	30		
AJm90H	0.9	1.2	62	57	53	49	46	43	40	37	35	33	-	-	-	-		

Dimension

Model	DN1	DN2	A (mm)	B (mm)	C (mm)	D (mm)	E (mm)	F (mm)	G (mm)
AJm30			358	160	105	180	88.5	50	10
AJm45			358	160	105	180	88.5	50	10
AJm60			418	190	150	212	113	100	10
AJm75	1"		418	190	150	212	113	100	10
AJm75H			418	190	150	212	113	100	10
AJm90			418	190	150	212	113	100	10
AJm90H			418	190	150	212	113	100	10

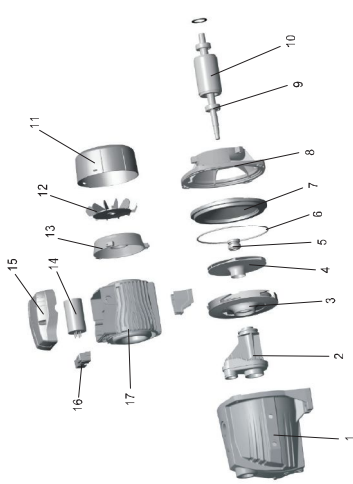


Hydraulic Performance Curves



Materials Table

No.	Part	Material
1	Pump body	HT 200
2	Venturi tube	PPO
3	Diffusor	PPO
4	Impeller	AISI 304
5	Mechanical seal	CarborCeramic
6	O-ring	NBR
7	Support cover	AISI 304
8	Support	AISI 304
9	Bearing	
10	Rotor	
11	Fan cover	PP
12	Fan	PP
13	Rear cover	ZL 102
14	Capacitor	
15	Terminal box	ABS
16	Terminal board	
17	Stator	



Package Information

Model	GW (Kgs)	L (mm)	W (mm)	H (mm)	Quantity (PCS/20 TEU)
AJm30	9.2	380	185	215	1740
AJm45	10.15	380	185	215	1740
AJm60	14.35	455	215	245	1170
AJm75	15.5	455	215	245	1170
AJm75H	15.5	450	215	245	1170
AJm90	16.45	455	215	245	1170
AJm90H	16.45	450	215	245	1170

