



Application

- To transfer clean water with liquid temperature between 0°C and 40°C
- Application in water supply and drainage for factories, mines, municipal facilities as well as field irrigation, etc.

Features

- 4-stroke gasoline engine power performance, structural optimization and upgrading
- Ignition more convenient, more complete combustion, low energy consumption, more environmentally friendly
- Strengthened pump body ensures more durable and reliable service
- Better sealing effect by using special mechanical seal
- Impeller designed with high efficient hydraulic system

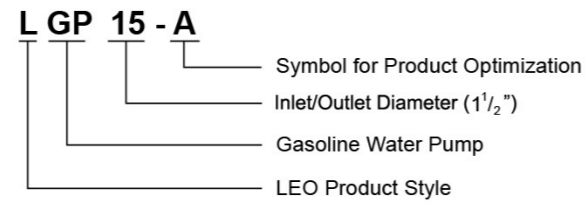
Pump

- Anti-rust cast iron impeller and diffuser
- Max.Suction: 8 m , Suck 5 m needs 120 s
- Inlet/outlet: 38 mm

Engine

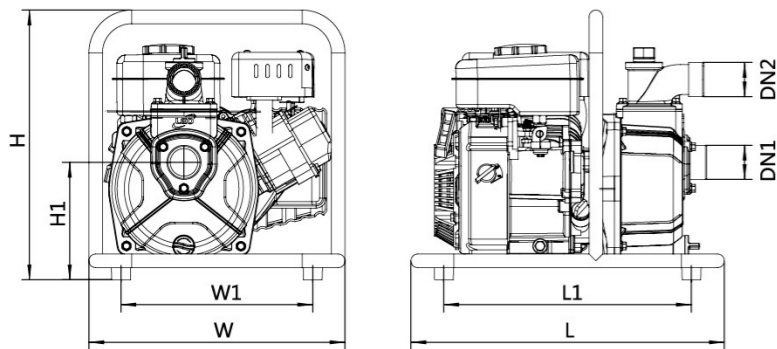
- Single cylinder, 4-stroke, Air-cooled
- Max.power: 3 HP
- Rated speed: 3600 rpm

Identification Codes



Technical Data

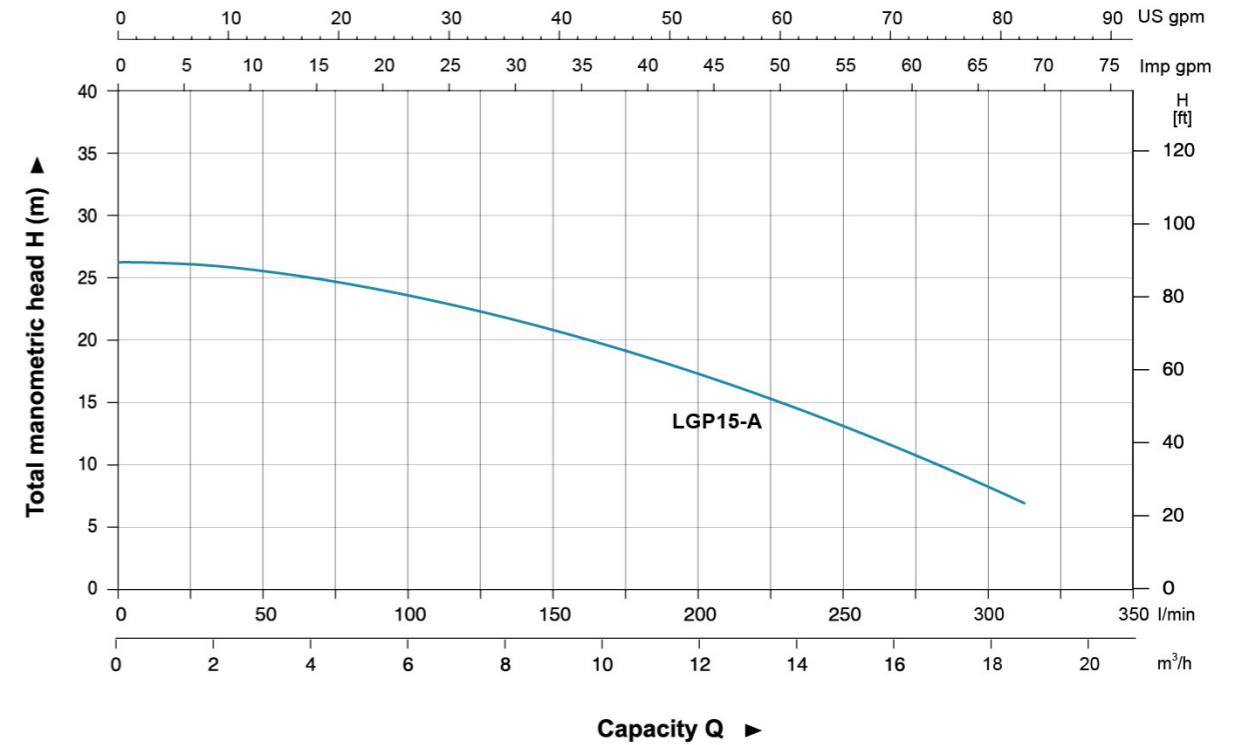
| Model | Power HP | Fuel tank L | Engine oil L | Displacement cc | Engine | Q (m³/h) | | | | | | | | | | | | | | | | | | | | |
|---------|-------------|----------------|-----------------|--------------------|--------|--------------|------|------|------|-------|-------|-----|-------|-------|-----|-----|--|--|--|--|--|--|--|--|--|--|
| | | | | | | 0 | 2 | 4 | 6 | 8 | 10 | 12 | 14 | 16 | 18 | | | | | | | | | | | |
| LGP15-A | 3 | 1.8 | 0.35 | 87 | G87 | 0 | 33.3 | 66.7 | 100 | 133.3 | 166.7 | 200 | 233.3 | 266.7 | 300 | | | | | | | | | | | |
| | | | | | | H (m) | 26 | 25 | 24.8 | 23 | 22 | 20 | 17 | 15 | 12 | 7.2 | | | | | | | | | | |



Dimension

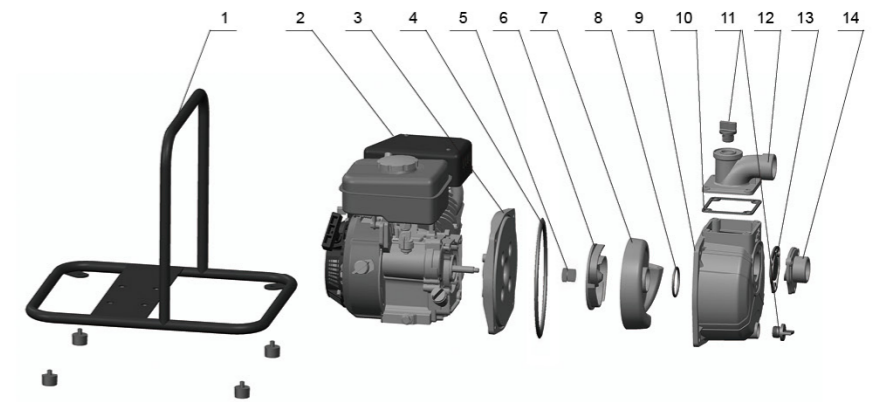
| Model | DN1 | DN2 | L (mm) | W (mm) | H (mm) | L1 (mm) | W1 (mm) | H1 (mm) |
|---------|--------|--------|--------|--------|--------|---------|---------|---------|
| LGP15-A | 1 1/2" | 1 1/2" | 438 | 380 | 377 | 346 | 268 | 164.2 |

Hydraulic Performance Curves



Materials Table

| No. | Part | Material |
|-----|------------------|----------------|
| 1 | Frame | Steel |
| 2 | Engine | |
| 3 | Pump cover | Aluminum |
| 4 | O-ring | NBR |
| 5 | Mechanical seal | Carbon/Ceramic |
| 6 | Impeller | HT200 |
| 7 | Diffuser | HT200 |
| 8 | O-ring | NBR |
| 9 | Pump body | Aluminum |
| 10 | Seal | NBR |
| 11 | Plug | PP |
| 12 | Outlet | Aluminum |
| 13 | Non-return valve | NBR |
| 14 | Inlet | Aluminum |



Package Information

| Model | GW (Kgs) | L (mm) | W (mm) | H (mm) | Quantity (PCS/20 TEU) |
|---------|----------|--------|--------|--------|-----------------------|
| LGP15-A | 14.5 | 464 | 378 | 400 | 330 |

