



### Application

- Can be used to transfer clean water or other liquids similar to water in physical and chemical properties
- Fully automatic water supply in house and garden

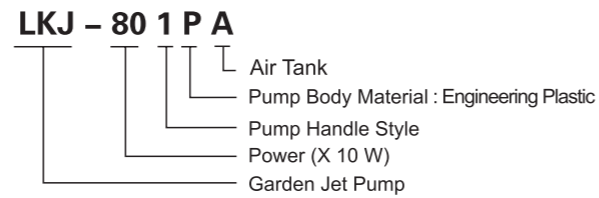
### Pump

- Unique ergonomic design
- Max. fluid temperature: +35°C
- Max. suction: +8 m

### Motor

- C&U bearing
- Built-in thermal protector
- Aluminum winding
- Insulation class: F
- Protection class: IPX4
- Max. ambient temperature: +40°C

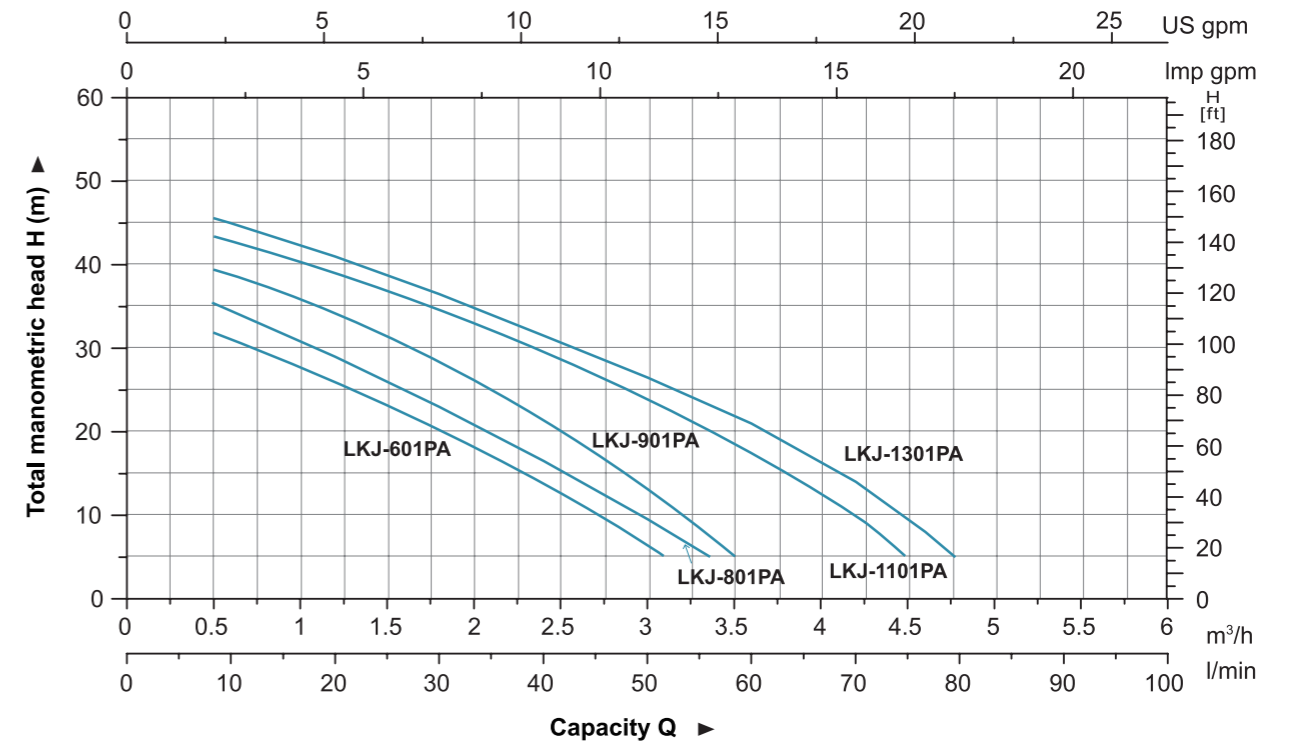
### Identification Codes



### Technical Data

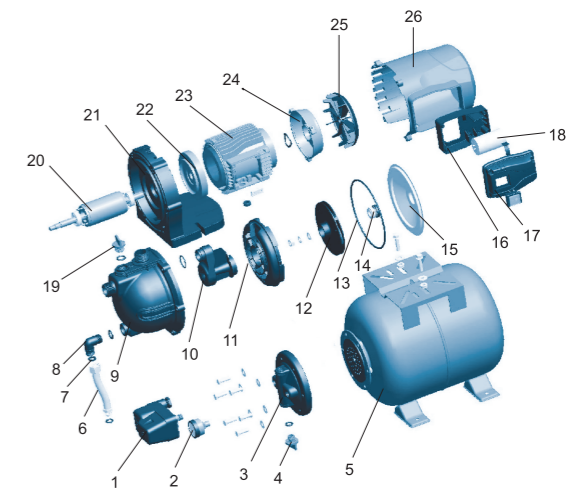
MODEL	POWER (P <sub>2</sub> )		Q (m <sup>3</sup> /h)												
	W	HP	Q (l/min)	0	0.6	1.2	1.8	2.4	3	3.6	4.2	4.8	5.4	6	
LKJ-601PA	600	0.8	H (m)	30	28	25.5	20	14	8	-	-	-	-	-	
LKJ-801PA	800	1.1	39	34.5	29	23	16.5	9.5	-	-	-	-	-		
LKJ-901PA	900	1.2	43	39	34	28	21	12.5	3	-	-	-	-		
LKJ-1101PA	1100	1.5	46	43	39	35	30	24	17	8	-	-	-		
LKJ-1301PA	1300	1.75	48	45	41	36.5	31.5	26.5	21	14	8	-	-		

### Hydraulic Performance Curves



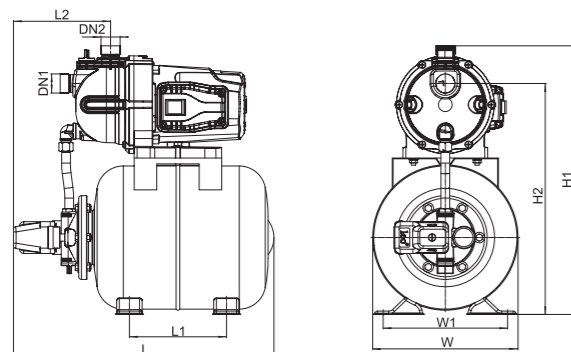
### Materials Table

No.	Part	Material	No.	Part	Material
1	Pressure switch		14	Mechanical seal	Carbon/Ceramic
2	Pressure gauge		15	Bracket cover	AISI 304
3	Tank cover	PA6	16	Terminal board	ABS
4	Drain plug	PP	17	Switch cover	ABS
5	Tank	08F	18	Capacitor	
6	Flexible hose		19	Plug	PP
7	Seal washer	NBR	20	Rotor	
8	Elbow connector	ABS	21	Motor flange	PP
9	Pump body	PP	22	Front plate	ZL102
10	Enjector	PPO	23	Stator	
11	Diffuser	PPO	24	Rear cover	ZL102
12	Impeller	PPO	25	Fan	PP
13	O-ring	NBR	26	Motor cover	ABS



### Package Information

Model	GW (Kgs)	L (mm)	W (mm)	H (mm)	Quantity		
					20'/pcs	40'/pcs	40H'/pcs
LKJ-601PA	13.2	565	303	540	260	524	524
LKJ-801PA	14.1	565	303	540	260	524	524
LKJ-901PA	15.1	565	303	555	252	509	509
LKJ-1101PA	16.1	565	303	555	252	509	509
LKJ-1301PA	16.4	565	303	555	252	509	509



### Dimension

Model	DN1	DN2	L (mm)	W (mm)	L1 (mm)	L2 (mm)	W1 (mm)	H1 (mm)	H2 (mm)
LKJ-601PA	1"	1"	488	275	183	186	233	506	435.5
LKJ-801PA			488	275	183	186	233	506	435.5
LKJ-901PA			488	275	183	186	233	526.5	460
LKJ-1101PA			488	275	183	186	233	526.5	460
LKJ-1301PA			488	275	183	186	233	526.5	460