



Application

- Can be used to transfer clean or slightly dirty water or other liquids similar to water in physical and chemical properties
- Suitable to be immersed in water for lifting water from the well or the pool, and draining water from the basement

Pump

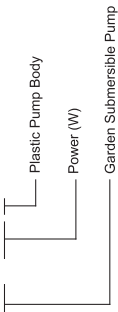
- Engineering plastic pump body
- Extensive use with two outlets
- Float switch ensures automatic cut-in and cut-out
- Max. liquid temperature: +35°C
- Max. immersion depth: 7 m
- Max. diameter of particle: 5 mm

Motor

- Motor with aluminum winding
- Built-in thermal protector
- Insulation class: F
- Protection class: IPX8

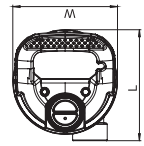
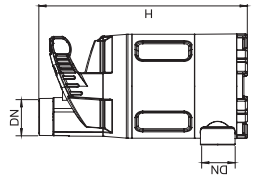
Identification Codes

LKS – 250 P



Technical Data

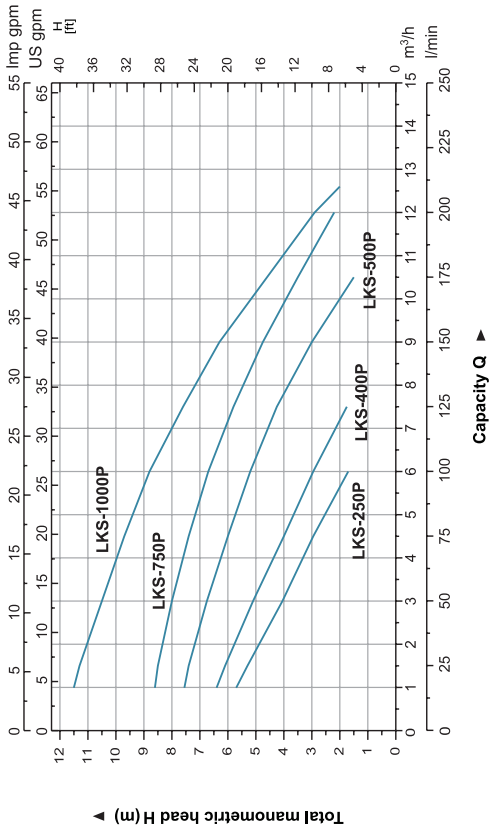
MODEL	POWER		Q (m ³ /h)	Q (l/min)	H (m)	Capacity Q								
	W	HP				3	4.5	6	7.5	9	10.5	12	12.6	
LKS-250P	250	0.3	H	5.8	5.3	4.1	3	1.7	-	-	-	-	-	-
LKS-400P	400	0.5		6.5	6.1	5.1	4	3	1.8	-	-	-	-	-
LKS-500P	500	0.7		7.6	7.4	6.8	6	5.2	4.3	3	1.5	-	-	-
LKS-750P	750	1		8.7	8.5	8	7.4	6.7	5.8	4.8	3.5	2.2	-	-
LKS-1000P	1000	1.3		11.6	11.3	10.5	9.7	8.8	7.6	6.3	4.6	2.9	2	-
				12.6	12	11.2	10.2	9.1	8.1	7.0	5.8	4.6	2.9	2



Dimension

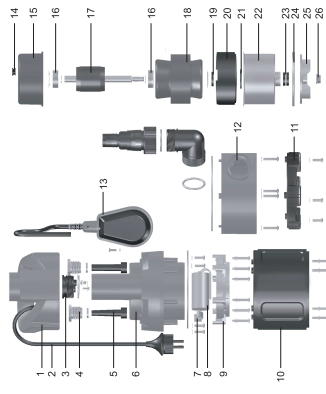
Model	DN (mm)	L (mm)	W (mm)	H (mm)
LKS-250P	32	157	148	295
LKS-400P	32	157	148	295
LKS-500P	32	157	148	316
LKS-750P	32	157	148	316
LKS-1000P	32	157	148	353

Hydraulic Performance Curves



Materials Table

No.	Part	Material	No.	Part	Material
1	Handle	PP	14	Wire jacket	NBR
2	Cable	Rubber	15	Upper cover	Steel
3	Plug	PP	16	Bearing	Steel
4	Nut	PP	17	Rotor	Steel
5	Cable jacket	EPDM	18	Stator	Steel
6	Roof	PP	19	Lip seal	NBR
7	Capacitor clip	PC/ABS	20	Bearing seat	ZL102
8	Capacitor	PP	21	O-ring	NBR
9	Retainer ring	PP	22	Stator cover	Steel
10	Pump body	PP	23	Lip seal	NBR
11	Base plate	PP	24	O-ring	NBR
12	Base	PP	25	Impeller	PA6
13	Float switch	PP	26	Nut	Stainless steel



Package Information

Model	GW (Kgs)	L (mm)	W (mm)	H (mm)	Quantity (PCS/20 TEU)
LKS-250P	4.4	210	160	330	2064
LKS-400P	4.6	210	160	330	2064
LKS-500P	5.2	210	160	330	2064
LKS-750P	6	210	160	330	2064
LKS-1000P	6.4	210	160	370	1720

