



Application

- It is widely used for heating ventilating and air conditioning (HVAC) circulation, pressure boosting of hot water in family, homes powered by solar energy, industrial auxiliary equipment cold and hot water circulation and so forth
- Water circulation for the central and district heating system
- Domestic hot water circulation

Pump

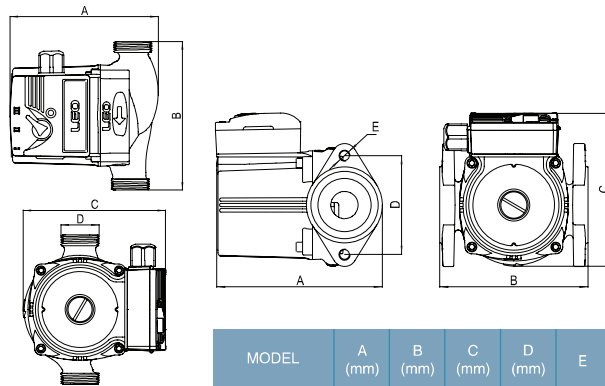
- Bronze or anti-rust cast iron pump body
- Noryl impeller with heat resistance up to 150°C
- 99% alumina ceramic shaft
- Liquid temperature: 2°C - 110°C

Motor

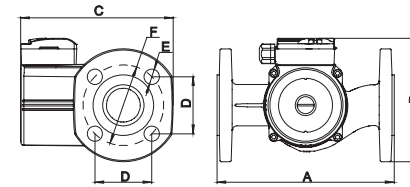
- Insulation class: H
- Protection class: IP44
- 99% alumina ceramic bearing
- Copper winding
- Three speed motor

| MODEL | A (mm) | B (mm) | C (mm) | D |
|---------------|--------|--------|--------|-------|
| LRP15-40/130 | 130 | 130 | 125 | G1 |
| LRP15-40B/130 | 130 | 130 | 125 | G1 |
| LRP20-40/130 | 130 | 130 | 125 | G1.25 |
| LRP25-40/130 | 130 | 130 | 125 | G1.5 |
| LRP25-40/180 | 130 | 180 | 125 | G1.5 |
| LRP32-40/180 | 135 | 180 | 125 | G2 |
| LRP15-50/130 | 130 | 130 | 125 | G1 |
| LRP15-50B/130 | 130 | 130 | 125 | G1 |
| LRP20-50/130 | 130 | 130 | 125 | G1.25 |
| LRP25-50/130 | 130 | 130 | 125 | G1.5 |
| LRP25-50/180 | 130 | 180 | 125 | G1.5 |
| LRP32-50/180 | 135 | 180 | 125 | G2 |
| LRP15-60/130 | 130 | 130 | 125 | G1 |
| LRP20-60/130 | 130 | 130 | 125 | G1.25 |
| LRP25-60/130 | 130 | 130 | 125 | G1.5 |
| LRP25-60/180 | 130 | 180 | 125 | G1.5 |
| LRP32-60/180 | 135 | 180 | 125 | G2 |
| LRP25-70/130 | 130 | 130 | 125 | G1.5 |
| LRP25-70/180 | 130 | 180 | 125 | G1.5 |
| LRP32-70/180 | 135 | 180 | 125 | G2 |
| LRP25-80/180 | 154 | 180 | 134 | G1.5 |
| LRP25-120/180 | 155 | 180 | 148 | G1.5 |
| LRP32-80/180 | 168 | 180 | 137 | G2 |

Dimension Drawing



| MODEL | A (mm) | B (mm) | C (mm) | D (mm) | E |
|---------------|--------|--------|--------|--------|-----|
| LRP21-40F/120 | 130 | 120 | 125 | 80 | M10 |
| LRP21-50F/120 | 130 | 120 | 125 | 80 | M10 |
| LRP21-60F/120 | 130 | 120 | 125 | 80 | M10 |
| LRP21-70F/120 | 130 | 120 | 125 | 80 | M10 |



| MODEL | A (mm) | B (mm) | C (mm) | D (mm) | E (mm) | F (mm) |
|---------------|--------|--------|--------|--------|--------|--------|
| LRP32-80F/220 | 220 | 150 | 191.5 | 70.7 | Ø19 | Ø100 |
| LRP36-80F/200 | 200 | 138 | 174.5 | 63.6 | Ø11.5 | Ø90 |
| LRP40-80F/250 | 250 | 155 | 196.5 | 77.8 | Ø19 | Ø110 |

Identification Codes

LRP 15 - 50 B / 130

- Distance between Inlet and Outlet (mm)
- No identification=Cast iron pump body & threaded connection
- F=Cast iron pump body & flange connection
- B=Bronze pump body & threaded connection
- Max. Head (dm)
- Inlet/Outlet Diameter (mm)
- LEO Booster/Circulation Pump

| MODEL | POWER | POWER (W) | | | Max. Flow (l/min) | Max. Head (m) | Inlet/Outlet (mm) | Pipe Size (inch) | N.W. (kgs) | G.W. (kgs) | Packing Size (mm) |
|---------------|-------------|-----------|-----|-----|-------------------|---------------|-------------------|------------------|------------|------------|-------------------|
| | | 3 | 2 | 1 | | | | | | | |
| LRP15-40/130 | 1~230V/50Hz | 74 | 54 | 34 | 40/30/22 | 4.0/3.3/2.3 | Ø15 | 1 | 2.32 | 2.45 | 154x143x153 |
| LRP15-40B/130 | 1~230V/50Hz | 74 | 54 | 34 | 40/30/22 | 4.0/3.3/2.3 | Ø15 | 1 | 2.41 | 2.54 | 154x143x153 |
| LRP20-40/130 | 1~230V/50Hz | 74 | 54 | 34 | 45/35/25 | 4.0/3.3/2.3 | Ø20 | 1.25 | 2.37 | 2.5 | 154x143x153 |
| LRP21-40F/120 | 1~230V/50Hz | 74 | 54 | 34 | 55/42/30 | 4.0/3.3/2.3 | Ø21 | 1.25 | 2.65 | 2.78 | 154x143x153 |
| LRP25-40/130 | 1~230V/50Hz | 74 | 54 | 34 | 52/42/30 | 4.0/3.3/2.3 | Ø25 | 1.5 | 2.44 | 2.57 | 154x143x153 |
| LRP25-40/180 | 1~230V/50Hz | 74 | 54 | 34 | 55/42/30 | 4.0/3.3/2.3 | Ø25 | 1.5 | 2.55 | 2.705 | 198x143x160 |
| LRP32-40/180 | 1~230V/50Hz | 74 | 54 | 34 | 55/42/30 | 4.0/3.3/2.3 | Ø32 | 2 | 2.73 | 2.885 | 198x143x160 |
| LRP15-50/130 | 1~230V/50Hz | 85 | 60 | 40 | 40/32/23 | 4.5/3.8/2.5 | Ø15 | 1 | 2.32 | 2.45 | 154x143x153 |
| LRP15-50B/130 | 1~230V/50Hz | 85 | 60 | 40 | 40/32/23 | 4.5/3.8/2.5 | Ø15 | 1 | 2.41 | 2.54 | 154x143x153 |
| LRP20-50/130 | 1~230V/50Hz | 85 | 60 | 40 | 47/37/25 | 4.5/3.8/2.5 | Ø20 | 1.25 | 2.37 | 2.5 | 154x143x153 |
| LRP21-50F/120 | 1~230V/50Hz | 85 | 60 | 40 | 58/45/32 | 4.5/3.8/2.5 | Ø21 | 1.25 | 2.65 | 2.78 | 154x143x153 |
| LRP25-50/130 | 1~230V/50Hz | 85 | 60 | 40 | 55/43/28 | 4.5/3.8/2.5 | Ø25 | 1.5 | 2.44 | 2.57 | 154x143x153 |
| LRP25-50/180 | 1~230V/50Hz | 85 | 60 | 40 | 60/47/32 | 4.5/3.8/2.5 | Ø25 | 1.5 | 2.55 | 2.705 | 198x143x160 |
| LRP32-50/180 | 1~230V/50Hz | 85 | 60 | 40 | 60/47/32 | 4.5/3.8/2.5 | Ø32 | 2 | 2.73 | 2.885 | 198x143x160 |
| LRP15-60/130 | 1~230V/50Hz | 96 | 69 | 45 | 40/32/23 | 5.5/4.5/2.8 | Ø15 | 1 | 2.32 | 2.45 | 154x143x153 |
| LRP15-60B/130 | 1~230V/50Hz | 96 | 69 | 45 | 40/32/23 | 5.5/4.5/2.8 | Ø15 | 1 | 2.41 | 2.54 | 154x143x153 |
| LRP20-60/130 | 1~230V/50Hz | 96 | 69 | 45 | 53/37/25 | 5.5/4.5/2.8 | Ø20 | 1.25 | 2.37 | 2.5 | 154x143x153 |
| LRP21-60F/120 | 1~230V/50Hz | 96 | 69 | 45 | 60/45/32 | 5.5/4.5/2.8 | Ø21 | 1.25 | 2.65 | 2.78 | 154x143x153 |
| LRP25-60/130 | 1~230V/50Hz | 96 | 69 | 45 | 58/43/28 | 5.5/4.5/2.8 | Ø25 | 1.5 | 2.44 | 2.57 | 154x143x153 |
| LRP25-60/180 | 1~230V/50Hz | 96 | 69 | 45 | 66/47/32 | 5.5/4.5/2.8 | Ø25 | 1.5 | 2.55 | 2.705 | 198x143x160 |
| LRP32-60/180 | 1~230V/50Hz | 96 | 69 | 45 | 66/47/32 | 5.5/4.5/2.8 | Ø32 | 2 | 2.73 | 2.885 | 198x143x160 |
| LRP21-70F/120 | 1~230V/50Hz | 150 | 130 | 105 | 67/50/37 | 6.3/6.0/5.2 | Ø21 | 1.5 | 2.65 | 2.805 | 154x143x153 |
| LRP25-70/130 | 1~230V/50Hz | 150 | 130 | 105 | 67/50/37 | 6.3/6.0/5.2 | Ø25 | 1.5 | 2.45 | 2.605 | 154x143x153 |
| LRP25-70/180 | 1~230V/50Hz | 150 | 130 | 105 | 67/50/37 | 6.3/6.0/5.2 | Ø25 | 1.5 | 2.57 | 2.725 | 198x143x160 |
| LRP32-70/180 | 1~230V/50Hz | 150 | 130 | 105 | 67/50/34 | 6.3/6.0/5.2 | Ø32 | 2 | 2.75 | 2.905 | 198x143x160 |
| LRP25-80/180 | 1~230V/50Hz | 200 | 190 | 160 | 120/100/60 | 7.1/6.5/5.5 | Ø28 | 1.5 | 4.23 | 4.57 | 192x170x190 |
| LRP32-80/180 | 1~230V/50Hz | 270 | 245 | 160 | 167/100/60 | 7.3/6.7/5.4 | Ø42 | 2 | 4.75 | 5.09 | 192x170x190 |
| LRP32-80F/220 | 1~230V/50Hz | 270 | 245 | 160 | 170/113/65 | 7.3/6.7/5.4 | Ø42 | 2 | 7.57 | 8 | 235x181x207 |
| LRP36-80F/200 | 1~230V/50Hz | 270 | 245 | 160 | 170/113/65 | 7.3/6.7/5.4 | Ø42 | 2 | 5.98 | 6.36 | 214x170x190 |
| LRP40-80F/250 | 1~230V/50Hz | 270 | 245 | 160 | 170/113/65 | 7.3/6.7/5.4 | Ø42 | 2 | 8.27 | 8.74 | 264x186x212 |
| LRP25-120/180 | 1~230V/50Hz | 270 | 245 | 160 | 67/38/22.5 | 11.5/10/6.3 | Ø18 | 1.5 | 4.62 | 4.96 | 192x170x190 |