



### Application

- Can be used to transfer clean water or other liquids similar to water in physical and chemical properties
- Suitable for industrial use and urban water supply, domestic water supply, high rise buildings, long distance water transfer and related auxiliary equipment etc.

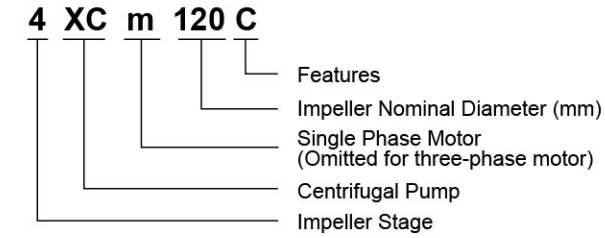
### Pump

- Stainless steel pump body
- AISI 304 shaft
- Max. liquid temperature: +60°C
- Max. suction: +8 m

### Motor

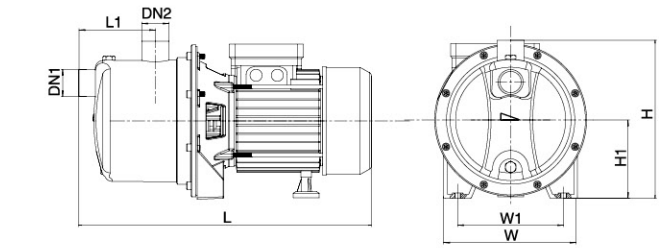
- C&U bearing
- Motor with copper winding
- Built-in thermal protector for single phase motor
- Insulation class: F
- Protection class: IPX4
- Max. ambient Temperature: +40°C

### Identification Codes



### Technical Data

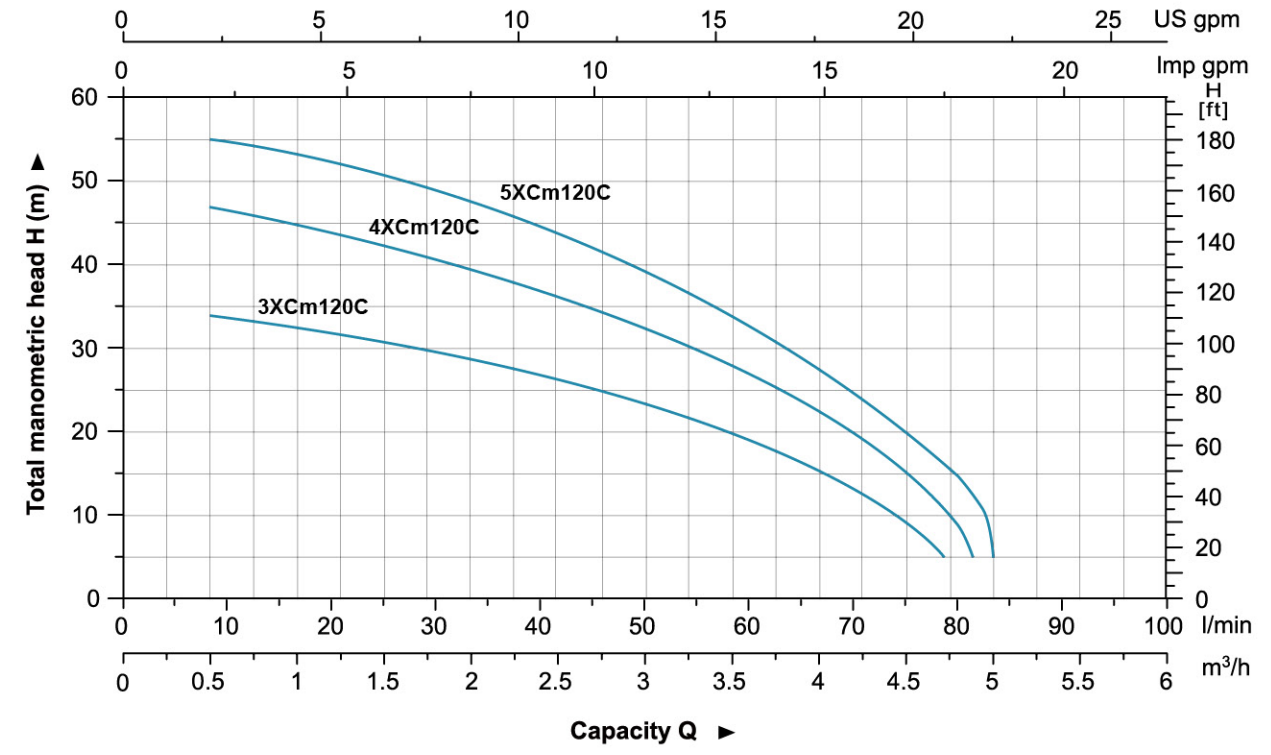
Model		POWER		Q (m³/h)																					
Single Phase	Three Phase	kW	HP	0	0.6	1.2	1.8	2.4	3	3.6	4.2	4.8	4.9	5	Q (l/min)										
				H (m)																					
3XCm120C	—	0.6	0.8	34	33	31.5	29	26	22	17.5	11.5	3.5	-	-	0	10	20	30	40	50	60	70	80	82	84
4XCm120C	4XC120C	0.75	1	48	45.5	42.5	39.5	36	31.5	26	18.8	9	3	-											
5XCm120C	5XC120C	0.9	1.2	56.5	54.5	52	48.2	44	38.5	32	24	15	12.5	3											



### Dimension

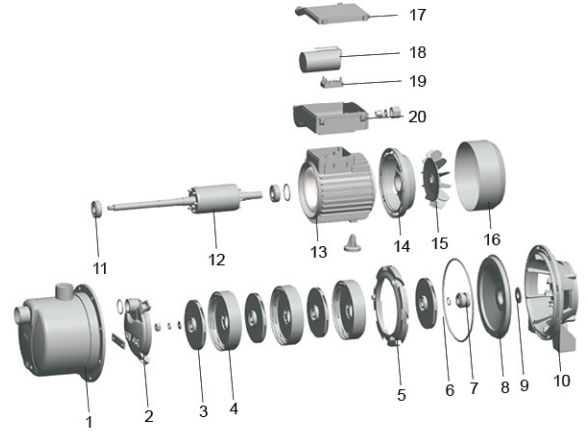
Model	DN1	DN2	L (mm)	W (mm)	H (mm)	L1 (mm)	W1 (mm)	H1 (mm)
3XCm120C	1"	1"	362	174	208	77	140	103
4XCm120C	1"	1"	386	174	208	104	140	103
5XCm120C	1"	1"	410	174	208	125	140	103

### Hydraulic Performance Curves



### Materials Table

No.	Part	Material
1	Pump body	AISI 304
2	Pump cover	PPO
3	Impeller	PPO
4	Diffuser	PPO
5	Water guiding board	PPO
6	O-ring	NBR
7	Mechanical seal	Carbon/Ceramic
8	Bracket cover	AISI 304
9	Rubber washer	
10	Support	ZL102
11	Ball bearing	
12	Rotor	
13	Stator	
14	Rear cover	ZL102
15	Fan	PP
16	Fan cover	08F
17	Terminal cover	ABS
18	Capacitor	
19	Terminal	
20	Terminal box	ABS



### Package Information

Model	GW (Kgs)	L (mm)	W (mm)	H (mm)	Quantity (PCS/20' TEU)
3XCm120C	9.5	405	235	265	1072
4XCm120C	10.5	430	235	265	1008
5XCm120C	11.5	455	235	265	960

