

Application

- Can be used to transfer clean or slightly dirty water or other liquids similar to water in physical and chemical properties
- Suitable to be immersed in water for lifting water from the well or the pool, and draining water from the basement

Pump

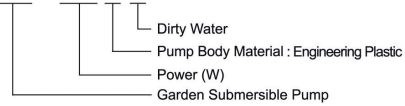
- Engineering plastic pump body
- Max. liquid temperature: +35°C
- Float switch ensures automatic cut-in and cut-out
- Max. immersion depth: 7 m
- Max. diameter of particle: 35 mm

Motor

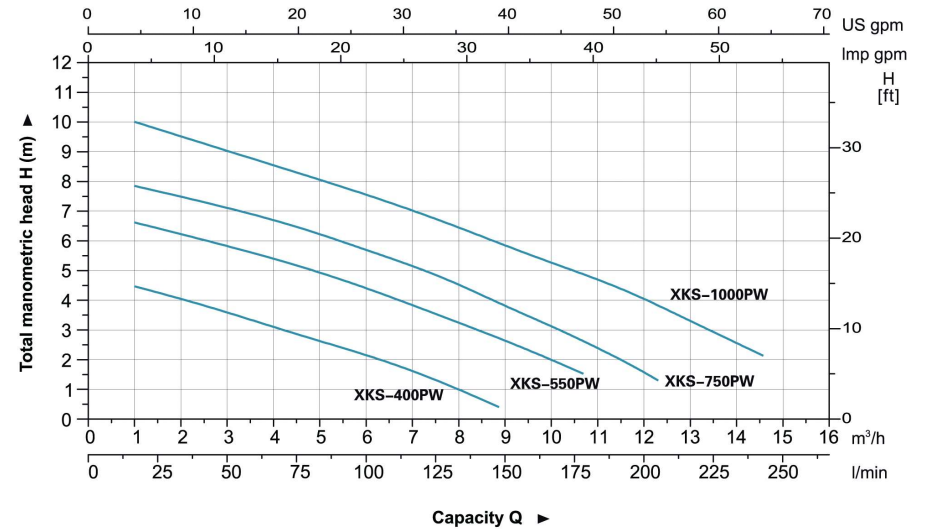
- Motor with aluminum winding
- Built-in thermal protector
- Insulation class: F
- Protection class: IPX8

Identification Codes

XKS - 400 P W

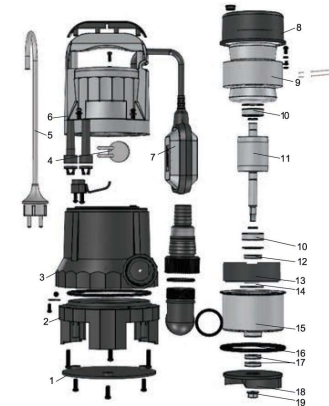


Hydraulic Performance Curves



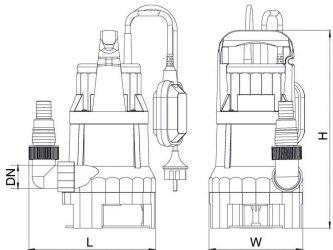
Materials Table

Pos.	Part	Material
1	Base plate	PP
2	Pump base	PP
3	Pump body	PP
4	Capacitor	
5	Cable	
6	Roof	PP
7	Float switch	
8	Upper cover	
9	Stator	
10	Bearing	
11	Rotor	
12	Lip seal	
13	Bearing seat	DMC
14	O-ring	NBR
15	Stator shield	Steel
16	O-ring	NBR
17	Lip seal	
18	Impeller	PA6
19	Nut	AISI 304



Technical Data

MODEL	POWER		Q (m³/h)																																																																																							
	W	HP	0	1.5	3	4.5	6	7.5	9	10.5	12	13.5																																																																														
XKS-400PW	400	0.5	<table border="1"> <thead> <tr> <th rowspan="2">H (m)</th> <th colspan="12">Q (l/min)</th> </tr> <tr> <th>0</th><th>25</th><th>50</th><th>75</th><th>100</th><th>125</th><th>150</th><th>175</th><th>200</th><th>225</th><th>250</th> </tr> </thead> <tbody> <tr> <td>4.8</td> <td>4.3</td><td>3.5</td><td>2.8</td><td>2</td><td>1.3</td><td>-</td><td>-</td><td>-</td><td>-</td><td>-</td><td>-</td><td>-</td> </tr> <tr> <td>7</td> <td>6.4</td><td>5.7</td><td>5.2</td><td>4.5</td><td>3.5</td><td>2.5</td><td>1.5</td><td>-</td><td>-</td><td>-</td><td>-</td><td>-</td> </tr> <tr> <td>8.2</td> <td>7.5</td><td>7</td><td>6.5</td><td>5.6</td><td>4.8</td><td>3.8</td><td>2.8</td><td>1.5</td><td>-</td><td>-</td><td>-</td><td>-</td> </tr> <tr> <td>10.5</td> <td>9.7</td><td>9</td><td>8.3</td><td>7.5</td><td>6.7</td><td>5.8</td><td>5</td><td>4</td><td>3</td><td>-</td><td>-</td><td>-</td> </tr> </tbody> </table>												H (m)	Q (l/min)												0	25	50	75	100	125	150	175	200	225	250	4.8	4.3	3.5	2.8	2	1.3	-	-	-	-	-	-	-	7	6.4	5.7	5.2	4.5	3.5	2.5	1.5	-	-	-	-	-	8.2	7.5	7	6.5	5.6	4.8	3.8	2.8	1.5	-	-	-	-	10.5	9.7	9	8.3	7.5	6.7	5.8	5	4	3	-	-	-
H (m)	Q (l/min)																																																																																									
	0	25													50	75	100	125	150	175	200	225	250																																																																			
4.8	4.3	3.5													2.8	2	1.3	-	-	-	-	-	-	-																																																																		
7	6.4	5.7	5.2	4.5	3.5	2.5	1.5	-	-	-	-	-																																																																														
8.2	7.5	7	6.5	5.6	4.8	3.8	2.8	1.5	-	-	-	-																																																																														
10.5	9.7	9	8.3	7.5	6.7	5.8	5	4	3	-	-	-																																																																														
XKS-550PW	550	0.7																																																																																								
XKS-750PW	750	1																																																																																								
XKS-1000PW	1000	1.3																																																																																								



Dimension

Model	DN	L (mm)	W (mm)	H (mm)
XKS-400PW	32	213	158	332
XKS-550PW	32	213	158	349
XKS-750PW	40	213	158	349
XKS-1000PW		217	153	376

Package Information

Model	GW (Kgs)	L (mm)	W (mm)	H (mm)	Quantity (PCS/20' TEU)
XKS-400PW	4.8	200	150	300	2632
XKS-550PW	5.2	200	150	300	2632
XKS-750PW	6.2	200	150	300	2632
XKS-1000PW	7.8	205	155	345	2160

