

DUAL CHECK VALVE / 2350



PN 16
DN40 → DN400

PRODUCTION STANDARDS

DESIGN	TS EN 12334
END CONNECTION	WAFFER TYPE TS EN 1092-1 / ISO 7005-1
FACE TO FACE	TS EN 558 Seri 16
TEST	TS EN 12266-1
MARKING	TS EN 19

FEATURES

- FAF2350 Dual check valve let to fluids in the facility required downstream and ceases the flow in case of reverse flow.
- Halves stainless steel disc, which are positioned in the body seats on sealing EPDM gaskets and provides %100 tight sealing.
- Expanders shorten and halves discs lap and let to flow between the body and the disc when the determined flow in the system starts.
- It can be used at horizontal and vertical positions.
- It has cast iron body, stainless steel discs.
- It is coated with fusion-bonded epoxy.
- With its short installation length it can be installed easily between two flanges.

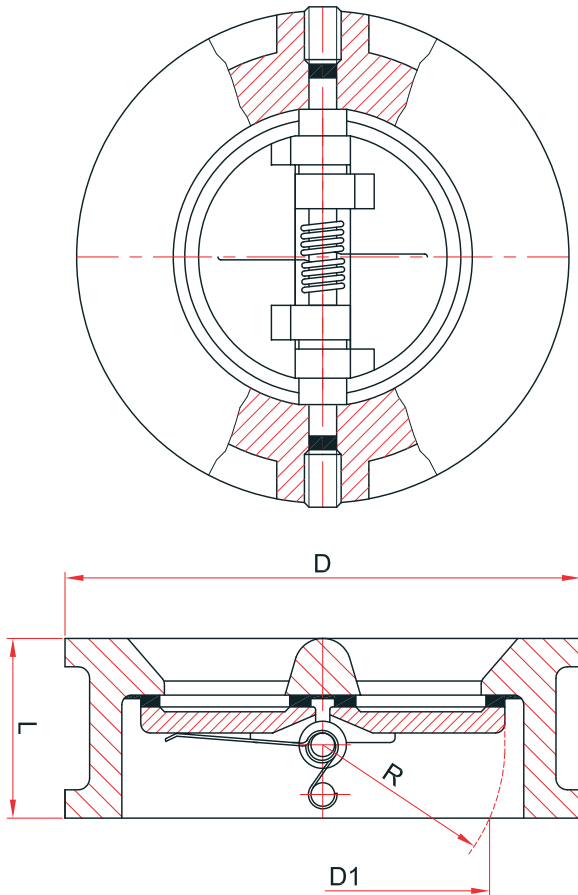
APPLICATIONS

Steam, Hot Water, Cold Water, Fluids without acidity or alkalinity properties, Pressurized Air

TEMPERATURE

+130 °C

TECHNICAL DRAWING



MATERIAL SELECTION

BODY	EN-GJL-250 CAST IRON (GG25)
DISC	1.4301 - AISI 304 STAINLESS STEEL
SEALING	EPDM
SPRING	STAINLESS STEEL
COATING	ELECTROSTATIC POWDER EPOXY

DN mm	DIMENSION				RATINGS		STUD SIZE	BOLT/NUT QTY	NUT	
	D	L	D1	R	KV m ³ /h	Weight Kg			FASTENING MOMENT Nm	WRENCH SIZE (mm)
40	92	33	37	23	30	1,1	M16X100	4	205	24
50	107	43	40	27	45	1,7	M16X110	4	205	24
65	127	46	60	35	70	2,3	M16X120	4	205	24
80	142	64	70	42	120	3,6	M16X140	8	205	24
100	162	64	88	50	240	4,4	M16X140	8	205	24
125	192	70	115	64	350	6,4	M16X150	8	205	24
150	218	76	134	77	650	9,1	M20X160	8	400	30
200	273	89	182	102,5	1300	14,1	M20X170	12	400	30
250	328	114	220	125	2100	26,6	M24X210	12	691	36
300	378	114	260	146	3500	36,1	M24X210	12	691	36
350	437	127	298	170	5000	50	M24X230	16	691	36
400	488	140	350	195	8000	59,7	M27X250	16	1010	41