

Flow Meters

Description

LPCB approved sprinkler system flow meter that can be installed between flanges (Fireflange) or with grooved couplings (Firegroove). Unit includes integral restrictor and bleed assembly, filter and drain assembly plus spare metering glass. The preferred installation pipe layout would include the optional full bore isolating valve upstream of the meter and a control valve down stream of the meter.

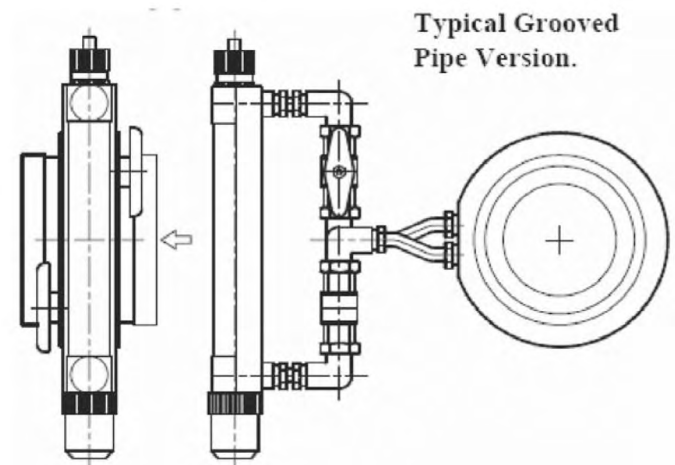


Pressure & Temperature

Max. Working Pressure: 16 Bar
 Max. Test Pressure: 30 Bar
 Max. Operating Temperature: 90C

Material Specification

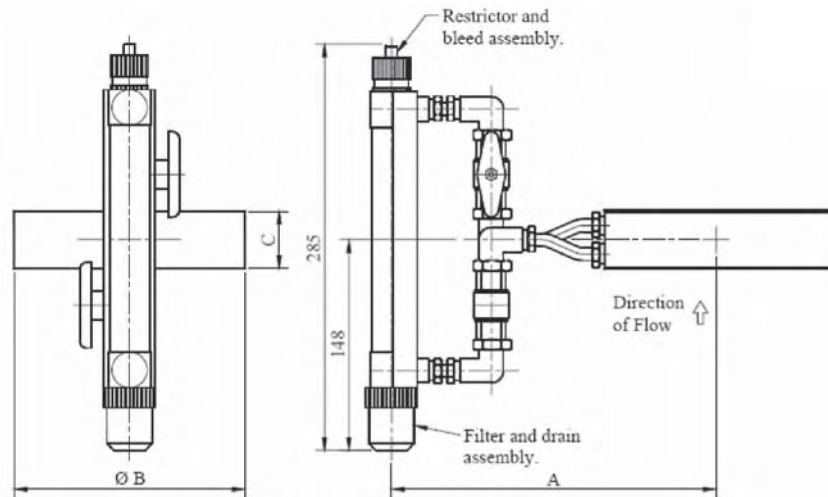
Main Orifice Carrier – 316 Stainless Steel flow orifice mounted in polyester coated carbon steel carrier. By Pass Flow Indicator – Nickel plated copper tubing with brass connections. Stainless steel element. Borosilicate glass indicator tube. Polycarbonate filter bowl. Viton seals.



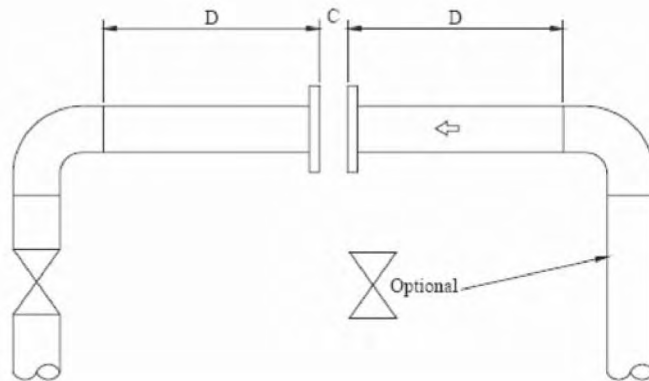
Flow Rate

Flowmeter Type	Flow Range (dm ³ /min)	LPCB Ref. No.	Test Flows (dm ³ /min) Tolerance +/- 5%
DN50 Flanged	150 - 700	464a/01	500
DN50 Grooved	150 - 700	464a/06	500
DN 80 Flanged	300 - 1600	464a/02	500, 800, 1300, 1500
DN80 Grooved	300 - 1600	464a/07	500, 800, 1300, 1500
DN100 Flanged	500 - 3500	464a/03	500, 800, 1300, 1500, 2200, 2500, 3500
DN100 Grooved	500 - 3500	464a/08	500, 800, 1300, 1500, 2200, 2500, 3500
DN150 Flanged	900 - 7900	464a/04	1300, 1500, 2200, 2500, 3500, 4500, 5000, 7000
DN150 Grooved	900 - 7900	464a/09	1300, 1500, 2200, 2500, 3500, 4500, 5000, 7000
DN200 Flanged	2000 - 15000	464a/05	4500, 5000, 7000, 9000
DN200 Grooved	2000 - 15000	464a/10	4500, 5000, 7000, 9000

Flow Meters



Typical Flanged Pipe Version.



Dimensions

Flow Meter Type	A (mm)	B (mm)	C (mm)	D (mm)
DN50 Grooved	197	98	40	250
DN50 Grooved	195	95	90	250
DN80 Flanged	212	130	40	400
DN80 Grooved	205	120	90	400
DN100 Flanged	228	162	40	500
DN100 Grooved	218	145	90	500
DN150 Flanged	244	214	40	750
DN150 Grooved	243	194	90	750
DN200 Flanged	283	272	40	1000
DN200 Grooved	268	245	100	1000



Flow Meters

Description

FM approved sprinkler system flow meter that can be installed between flanges (Fireflange) or with grooved couplings (Firegroove). Unit includes integral restrictor and bleed assembly, filter and drain assembly plus spare metering glass. The preferred installation pipe layout would include the optional full bore isolating valve upstream of the meter and a control valve down stream of the meter.

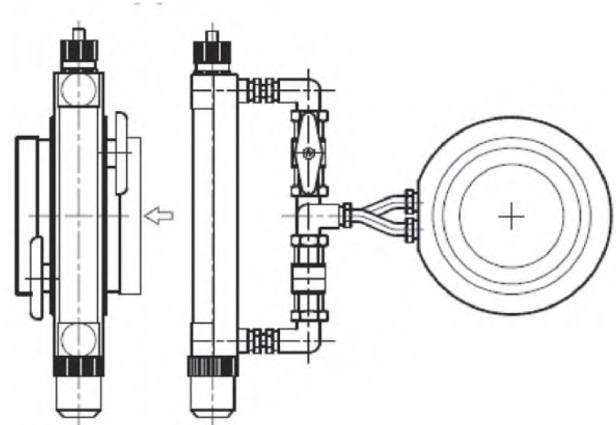
Pressure & Temperature

Safe Working Pressure : 20 Bar

Accuracy: $\pm 2\%$ full scale deflection

Material Specification

Main Orifice Carrier - 316 Stainless Steel flow orifice mounted in polyester coated carbon steel carrier. By Pass Flow Indicator - Nickel plated copper tubing with brass connections. Stainless steel element. Borosilicate glass indicator tube. Polycarbonate filter bowl. Viton seals



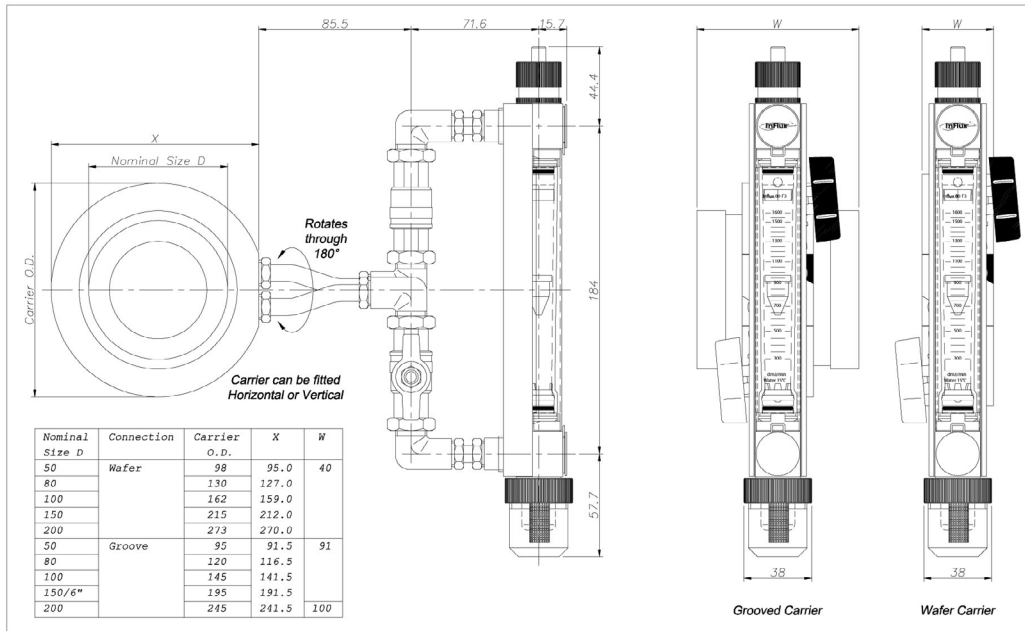
Flow Rate

Pump USGPM	Flowmeter and line size		Flowmeter test ranges USGPM		Flometer range USGPM		Grooved connection order code	Wafer flange connection order code	Flowmeter range dm ³ /min	
	Inches	mm	min	max	min	max			min	max
200	3	80	100	400	100	400	FS80FGFM	FS80FLFM	400	1500
250			150	500						
300	4	100	150	600	150	900	FS100FGFM	FS100FLFM	600	3400
450			250	900						
500			250	1000						
750	6	150	375	1500	250	2000	FS150FGFM *	FS150FLFM	1000	7500
1000			500	2000						
1250			750	2500						
1500	8	200	750	3000	750	4000	FS200FGFM	FS200FLFM	3000	15000
2000			1000	4000						

* Suitable for 165mm pipe (outside diameter), for 168mm pipes use code FS6FGFM.

Flow Meters

Mounting Detail



Typical Pipeline Configuration (Horizontal or Vertical)

