

# GLOBE VALVE BELLOW SEAL

## FAF2130

2130



### Features

- Long cycle life bellows designed and qualification tested for high pressure/temperature applications.
- Reduced gland leakage. The use of bellows reduces leakage from the gland components.
- Zero stem leakage eliminates media loss and satisfies environmental regulations.
- Zero maintenance results in lower operating costs.
- Easy maintenance. The valves are effective for reducing maintenance costs as the gland packing does not need to be regularly retorqued.
- Maintains liquid quality. The valve stem and gland components are sealed with bellows to prevent contact with liquids in pipes.

### Temperature

- +300 °C

### PRODUCTION STANDARDS

DN15 → DN200  
PN 16

Design	EN 13789
Connection	EN 1092-2 / ISO 7005-2 Flanged
Face to Face	EN558 Series 1 / DIN 3202F1
Marking	EN 19
Tests	EN 12266-1
Corrosion Protection	Industrial Epoxy

### Product Description

FAF2130 Globe Valve is sealed to the stem and the bonnet with precision welds. The welds need to be performed in close proximity to other valve parts, which can cause damage to the bellows, stem, backseat and packing if not done carefully. FAF does not recommend the replacement of a bellows in the field.

### Versions

- Standard version with handwheel

### Scope of Application

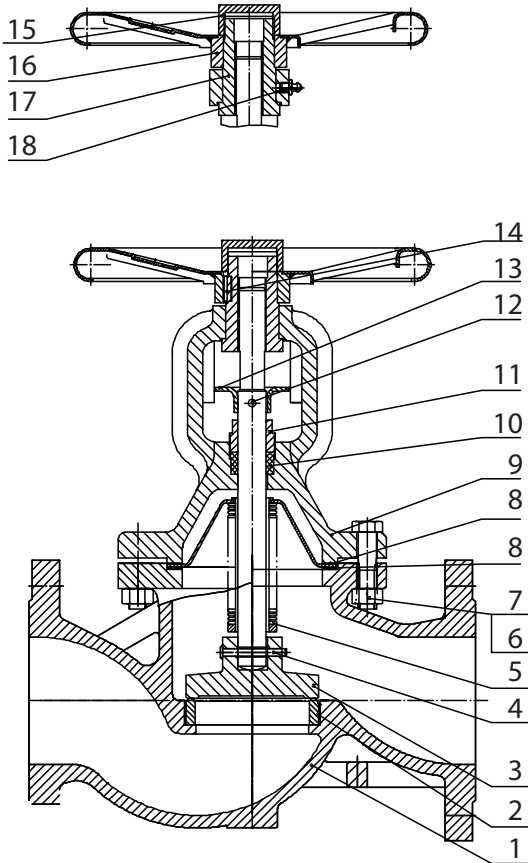
- Steam
- Superheated Water
- Hot Water
- Cold Water
- Pressurized air systems
- Ammonia and oil transfer
- Fluids without acidity or alkalinity properties



# GLOBE VALVE BELLOW SEAL

## FAF2130

### Material List



NO	ITEM	MATERIALS
1	Body	GGG40 Ductile Iron
2	Body Sealing Ring	1.4021
3	Disc	DN15-100: SS420; DN125-200: A105
4	Pin (Type A)	1.4021
5	Bellow Parts Diagram	SS304 Bellow
6	Hexagon Head Bolts	Cast Steel
7	1 Type Hexagonal Nut	Cast Steel
8	Gasket	Cast Steel + Flexible Graphite
9	Bonnet	GGG40 Ductile Iron
10	Packing	Flexible Graphite
11	Bolts	8.8 Galvanized
12	Elastic Cone Pin - Straight Flute - Heavy Type	Cast Steel
13	Location - Limited Plate	8.8 Galvanized
14	Ordinary Flat Key Type A	Cast Steel
15	Nut	8.8 Galvanized
16	Handwheel	Steel
17	York Nut	8.8 Galvanized

### PRODUCTS MODEL CODES

FAF2130	GLOBE VALVE - BELLOW SEAL
FAF2100	GLOBE VALVE

### VALVE TEST PRESSURE (Bar)

MAX. OPERATING PRESSURE	BODY / SHELL TEST	SEAT TEST
16	24	17,6

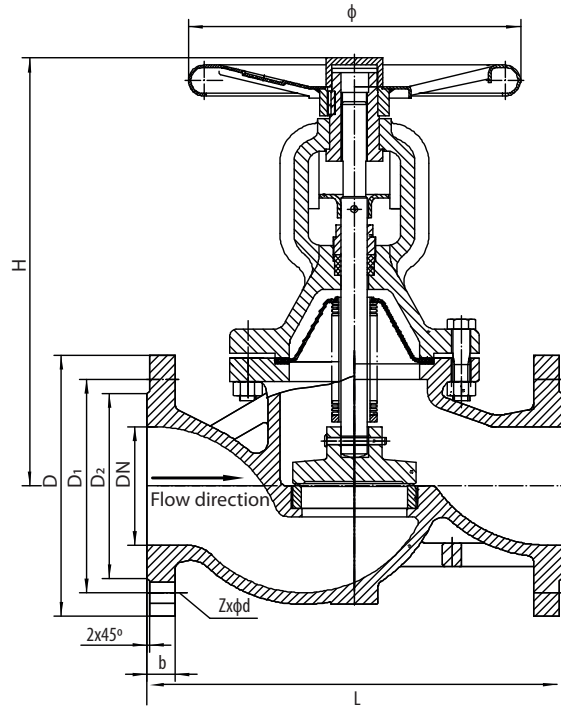
100% of the valves are subjected to hydrostatic tests at FAF facilities.

### Note

- For proper use and safety precautions please follow the installation and operating instructions.

# GLOBE VALVE BELLOW SEAL FAF2130

## Technical Details & Drawing, Dimensions



DN (mm)	L	D	D1	D2	b	Z x Ød	H	ϕ
15	130	195	165	146	14	4X14	194	120
20	150	1105	175	156	16	4X14	194	120
25	160	1115	185	165	16	4X14	205	140
32	180	1140	1100	176	18	4X19	215	140
40	200	1150	1110	184	18	4X19	224	140
50	230	1165	1125	199	20	4X19	230	160
65	290	1185	1145	1118	20	4X19	282	200
80	310	1200	1160	1132	22	8X19	335	220
100	350	1220	1180	1156	24	8X19	361	280
125	400	1250	1210	1184	26	8X19	445	280
150	480	1285	1240	1211	26	8X23	499	340
200	600	1340	1295	1266	30	12X23	653	400

# GLOBE VALVE BELLOW SEAL

## FAF2130



2130

### Caution During Use

Please check the following prohibited actions and cautions when using bellows valves. Using bellows valves with specifications or conditions that deviate from this information may lead to serious damage including bellows breakage. Please check with FAF Valve if you have any questions.

#### Prohibited Actions

- Do not use the valve under conditions which exceed the range of use.
- Avoid freezing liquids inside the piping.
- Avoid subjecting the valve to impact pressures such as a water hammer.
- Do not use in pipes with strong vibrations.
- When transporting a large-size valve, lift it with a rope tied to the valve body or the yoke. Never tie the rope to the handle, and make sure the valve does not fall over or suffer a strong impact. Otherwise the valve stem may bend, leaving the valve unable to open and close.
- When operating the handle, do not apply excessive torque by the supplementary handle or elsewhere, otherwise the damage such as bending stem may happen.
- Please consult with FAF Valve when using or corrosive liquids.

#### Cautions

- When using highly viscous liquids or liquids which harden at low temperatures, prevent the liquid from sticking to the bellows by keeping it warm or taking other measures.
- To prevent foreign substances from entering the valve, do not remove the seal on the ange face until the valve has been installed.
- Store the valve indoors in a place with minimal humidity and dust. Do not store the valve in open air.
- Do not disassemble or replace parts on the valve (disassembly and assembly work on a bellows valve should only be performed by an experienced person who has received training.)
- When using the valve, match the ow direction with the arrows on the valve body.
- When the valve is fully closed, abruptly closing the handle with force may cause a foreign substance to get caught on the seat surface or cause seat leakage. In such cases, after fully closing the valve lightly, open the valve slightly and blow off the foreign substance around the seat before closing the handle again.
- If the valve is used when an extremely small opening, high-velocity liquids may strike the seat or valve body and cause erosion (mechanical corrosion).
- If the valve is used with high frequency, slippage of the valve stem trapezoidal thread will occur. Please lubricate regularly.