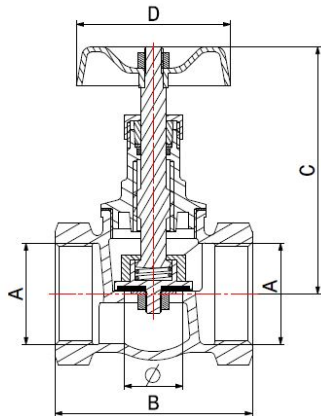
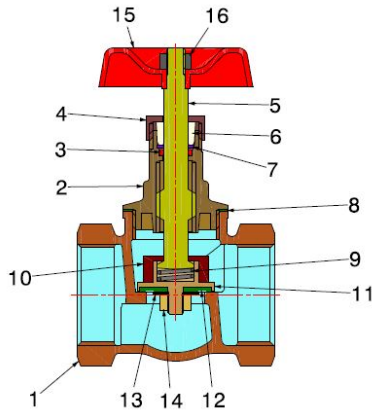


GLOBE VALVES

**BRONZE GLOBE VALVE
WITH PTFE SEAT**

2101



- Bronze globe valve with PTFE seat
- Thread ISO 228 - NPT on request
- Nominal pressure max PN16
- Water temperature range min 0°C-max +100°C/min +32°F-max +212°F
- Saturated steam temperature max +170°C / max +338°F

Valve suitable for distributing, regulating and interrupting air, steam or fluids that could cause dezincification problems, therefore it is especially recommended in harsh environments, such as marine ones. Shipbuilding, plumbing, heating and industrial sectors are the ideal fields of application. The seat is guaranteed by a PTFE seal.

COMPONENTS

POS.	PART NAME	N°	MATERIAL
1	Body	1	Bronze CC491K UNI-EN 1982:2000
2	Upper part	1	CW617N UNI-EN 12165
3	O-Ring	1	Viton®
4	Nut gland	1	CW617N UNI-EN 12165
5	Stem	1	CW617N UNI-EN 12164
6	Cylinder	1	PTFE
7	Stop washer O-Ring	1	CW617N UNI-EN 12164
8	Head gasket	1	PTFE
9	Spring	1	AISI 302 stainless steel
10	Ring	1	CW617N UNI-EN 12165
11	Seal	1	CW617N UNI-EN 12165
12	Seal gasket	1	PTFE
13	Washer	1	CW617N UNI-EN 12164
14	Nut for washer	1	CW617N UNI-EN 12164
15	Handwheel	1	Red lacquered iron
16	Handwheel retaining nut	1	Galvanised iron

N.B.: References 9 and 10 are not available in sizes 1/4" to 1.1/4"

DIMENSIONS MM

DN	A	B	C	D	Ø	PN
10	3/8"	50	70	50	11	16
15	1/2"	50	71	50	11	16
20	3/4"	55	77	50	13	16
25	1"	64	90	60	19	16
32	1.1/4"	73	103	60	23	16
40	1.1/2"	83	113	70	29	16
50	2"	88	132	80	36	16
65	2.1/2"	150	209	120	62	16

PACKAGING

	3/8"	1/2"	3/4"	1"	1.1/4"	1.1/2"	2"	2.1/2"
CODE	2101610C00	2101610D00	2101610E00	2101610F00	2101610G00	2101610H00	2101610I00	2101610J00
PCS BOX	12	12	8	6	-	-	-	-
PCS CARTON	96	96	64	48	50	30	20	10