



AURATON TUCANA R

AURATON R25 R

Weekly Wireless Thermostat (transmitter)

A weekly wireless thermostat that allows you to set the temperature with minute precision. AURATON Pavo R allows the user to manage 8 temperature programmes for weekdays, 8 for Saturday and 8 for Sunday. It allows to adjust temperature to the time of day. Additionally, it is possible to set an independent holiday temperature for up to a week and an anti-freeze temperature, modifiable from 4 to 10°C. The thermostat has a PWM working mode, which cyclically switches on and off the heating device and minimises temperature fluctuations. The PWM algorithm maintains thermal comfort in the room by anticipating the actions of the heating system and ensures lower energy consumption. The LCD display has a choice of 3 backlight colours and is suitable for use in low-light environments. AURATON Pavo R acts as a radio transmitter. It works with AURATON Fornax (receiver) and AURATON Aries (underfloor heating control strip).

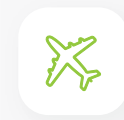
 **PWM working mode**



4 independently settable temperatures (day, night, anti-freeze, holiday)



Hourly precision temperature setting



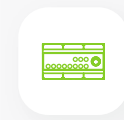
Holiday mode: setting an independent temperature for up to 99 days



10 temperature programmes (7 user-modifiable)



Designed to work with AURATON Fornax

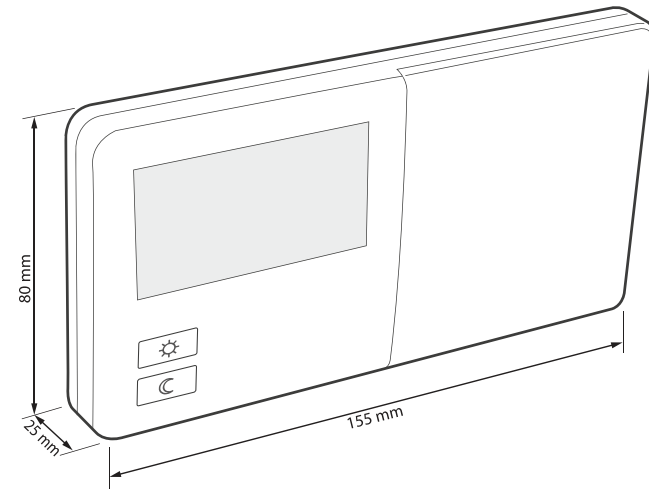


Designed to work with AURATON Aries

TECHNICAL DATA

Power supply	2xAA (2x1.5V), alkaline
Operating temperature range	0 – 45°C
Working cycle	weekly programmable
Radio frequency	868.850 MHz 869.000 MHz
Radio signal strength	up to 11 dBm
Operating range	In a typical building with a standard wall construction – approx. 30m; in an open space – up to 300m
Working status signalling	LCD display
Number of temperature levels	4
Anti-freeze temperature	4°C – 10°C
Temperature control range	5 – 30°C
Hysteresis	±0.2°C / ±0.4°C/PWM
Ingress protection	IP 20
Humidity	≤85% non-condensing

DEVICE DIAGRAMS



WIRING DIAGRAMS

