



### Application

- It is used for water circulation in small and medium-sized swimming pools. Slightly dirty water with solids in suspension can be perfectly filtered.

### Pump

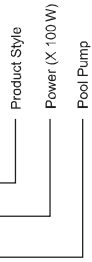
- Engineering plastic pump body
- AISI 304 shaft
- Max. liquid temperature: +35°C
- Max. suction: 3.5 m

### Motor

- Motor with copper or aluminum winding
- Built-in thermal protector for single phase motor
- Insulation class: F
- Protection class: IPX5

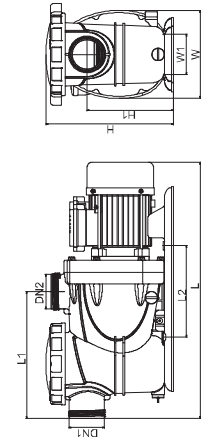
### Identification Codes

**XKP 16 04**



### Technical Data

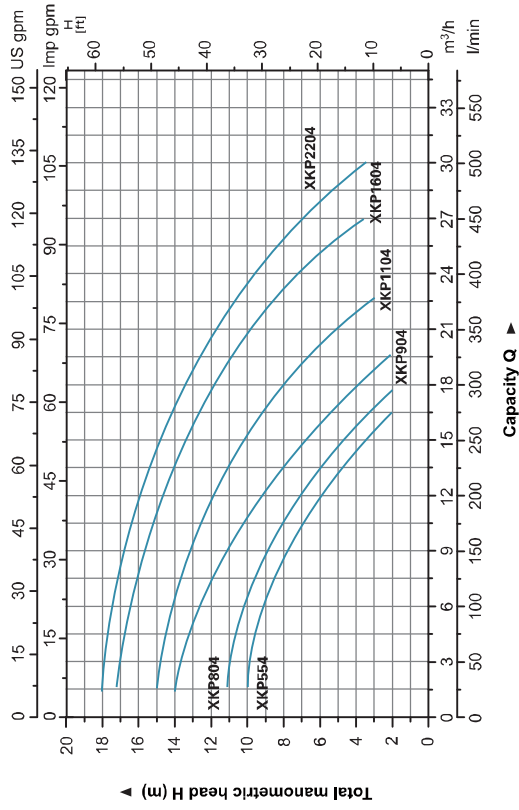
MODEL	POWER (P)		Q (m³/h)		Q (l/min)		H (m)		W (mm)		L (mm)		H1 (mm)		H2 (mm)			
	W	P	3	6	9	12	15	18	21	24	27	30	30	30	30	30		
XKP554	600		9.7	9	8	6	3.2	0.5	-	-	-	-	553	190	278	274	197	187
XKP804	900		10.8	10.3	8.8	7	4.5	1.5	-	-	-	-	553	190	278	274	197	187
XKP804	900		13.2	12.3	11.1	9.2	6.5	3.4	0.2	-	-	-	553	190	278	274	197	187
XKP1104	1100		14.8	14.2	13.2	12	10.3	8	4.8	-	-	-	553	190	278	274	197	187
XKP1604	1600		16.8	16.3	15.5	14.5	13.5	12	9.6	7	3.5	-	583	190	278	274	197	187
XKP2204	2200		17.8	17.3	16.5	16	14.8	13.4	11.7	9.5	6.5	3.3	583	190	278	274	197	187



### Dimension

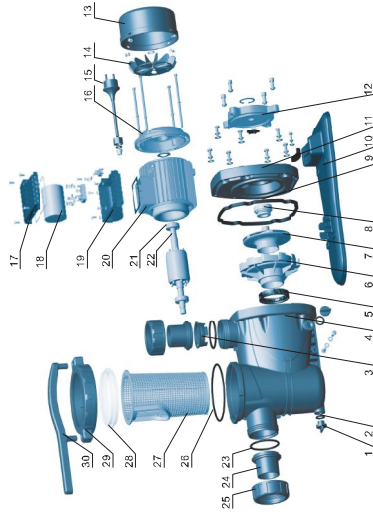
Model	DN1	DN2	L (mm)	W (mm)	H (mm)	L1 (mm)	L2 (mm)	H1 (mm)
XKP554			553	190	278	274	197	187
XKP804			553	190	278	274	197	187
XKP904	63		553	190	278	274	197	187
XKP1104			553	190	278	274	197	187
XKP1604			583	190	278	274	197	187
XKP2204			583	190	278	274	197	187

### Hydraulic Performance Curves



### Materials Table

No.	Part	Material	No.	Part	Material
1	Drive plug	PP	16	Rear cover	ZL102
2	O-ring	NBR	17	Capacitor cover	ABS
3	Valve body	PP	18	Capacitor	PP
4	Pump body	PP	19	Terminal box	ABS
5	O-ring	NBR	20	Stator	PP
6	Diaphragm	PP	21	Bearing	PP
7	Impeller	PPO	22	Rotor	PP
8	Mechanical seal	Carbon/Ceramic	23	O-ring	NBR
9	O-ring	NBR	24	Connector	PVC
10	Bottom board	PP	25	Nut	ABS
11	Plastic support	PP	26	O-ring	EPDM
12	Pump support	ZL102	27	Sleeve	PP
13	Fan cover	PP	28	Pump cover	PC
14	Fan	PP	29	Pump assembly	PA6
15	Cable		30	Wrench	PP



### Package Information

Model	GW (Kgs)	L (mm)	W (mm)	H (mm)	Quantity (PCS/20 TEU)
XKP554	10.1	565	220	290	816
XKP804	11	565	220	290	816
XKP904	11.5	565	220	290	816
XKP1104	12.2	565	220	290	816
XKP1604	15.7	615	230	290	744
XKP2204	17.6	615	230	290	744

