



The product model and code (6 digits) are printed on the sticker on the outside or the inside of the battery compartment cover. The manual may not be available in the selected language.

## TA5 – TA5 A – TA5 B – TA5 C

---

**COD. 546770**

**COD. 546730**

**COD. 546710**

**COD. 546750**



---

### PRODUCT DESCRIPTION

---

This is an easy-to-use MECHANICAL THERMOSTAT. It allows an accurate room temperature adjustment in the hosting room, thus meeting any users' needs as far as room comfort.

### CONFORMITY TO THE STANDARDS

This product complies with:

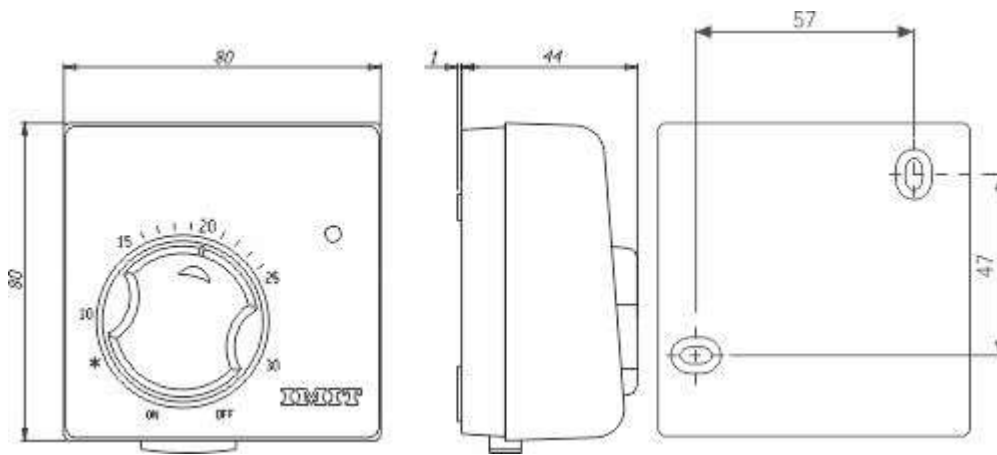
- EN 60730-1 and subsequent revisions
- EN 60730-2-9

### CONFORMITY TO THE GUIDELINES

- This product complies with:

We use cookies to ensure that we give you the best experience on our website. If you continue to use this site we will assume that you are happy with it.

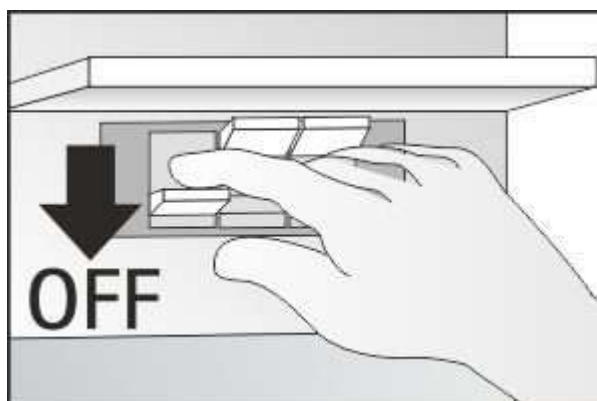
**Ok Read more**



It is recommended to install the appliance strictly in compliance with all safety and law provisions in force.

Before connecting the thermostat, make sure that the supply voltage of the UNIT TO BE CONTROLLED (boiler, pump, air-conditioning system, etc.) is NOT CONNECTED and that it matches the indication given inside the appliance (250V~ max). (fig.5)

In case of repeated malfunctioning, please call our Technical Service. Do not tamper for any reason with any part of the thermostat.



**FIG. 5**

## TECHNICAL SPECIFICATIONS

**Maximum capacity of the contacts** 16(2,5)A/250V~

**Type of action** 1B

**Temperature regulation range** 5°÷30°C

**Temperature differential** 0,4K÷0,8K

**Output** switching contacts

**Degree of protection** IP 20

**Insulation class** Double insulation

**Pollution degree** 2




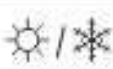
**Storage temperature** 0°÷50°C

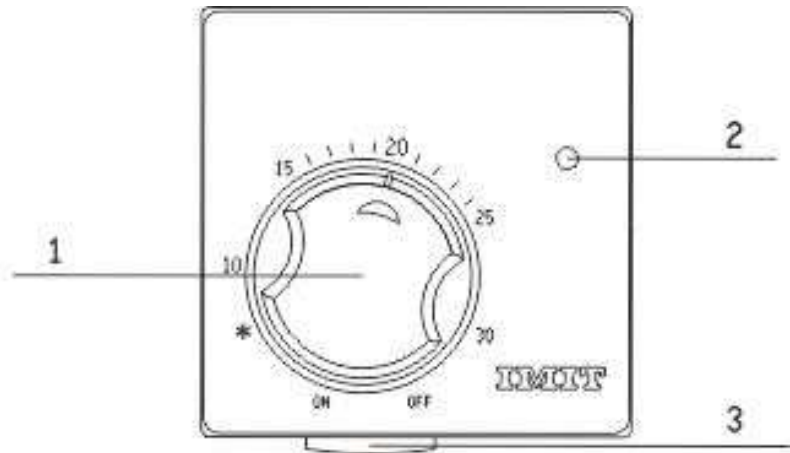
**Rated impulse withstand voltage** 4kV

We use cookies to ensure that we give you the best experience on our website. If you continue to use this site we will assume that you are happy with it.

**Ok** [Read more](#)

- 1 = Temperature setting knob (fig. 1)
- 2 = Warning lamp (TA5-A, TA5-B, TA5-C)
- 3 = ON/OFF switch (TA5-B) or SUMMER/WINTER switch (TA5-C)

TA5	
TA5-A	
TA5-B	 ON/OFF
TA5-C	 



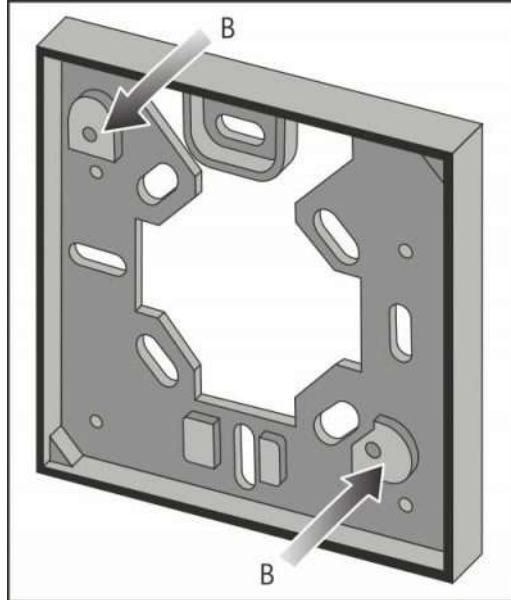
**FIG. 1**

---

## OPTIONAL ACCESSORIES

---

Sub-base fitting = cod. 004095 (fig.3)



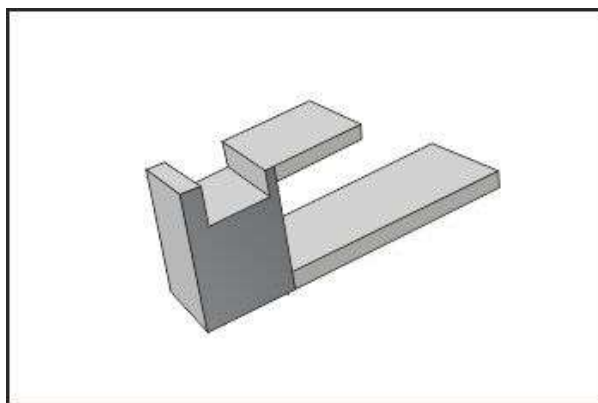
**FIG. 3**

---

Special fitting for temperature range restrictions or for the temperature lock at a pre-set value. = cod. 000071  
 ... ..

We use cookies to ensure that we give you the best experience on our website. If you continue to use this site we will assume that you are happy with it.

**Ok Read more**



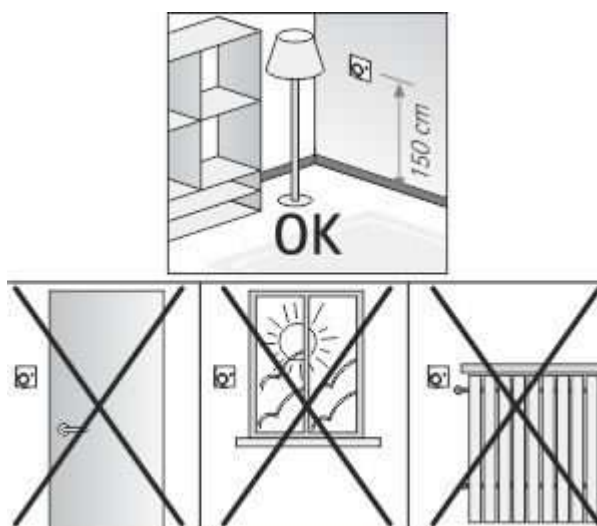
**FIG. 4**

---

## INSTALLATION

---

### PLACEMENT OF THE THERMOSTAT



**FIG. 6**

Install the thermostat away from heat sources (radiators, sunrays, and kitchens) and away from doors/windows, at approx. 1,5 m height from the floor. (fig.6)

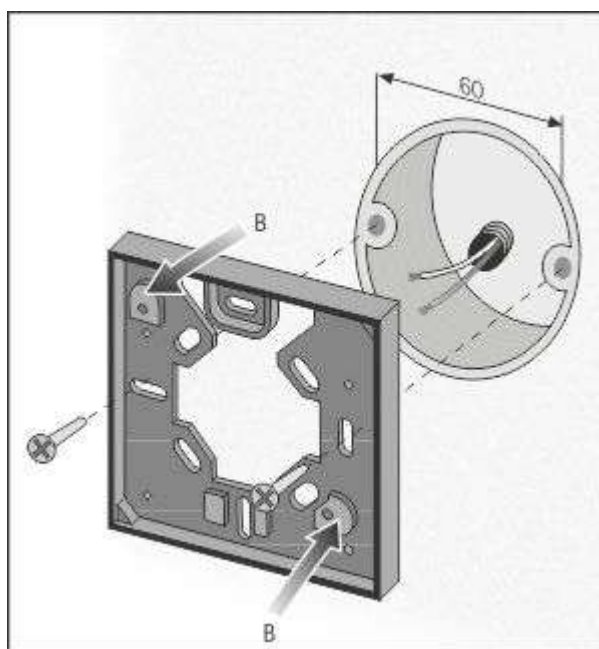
---

## INSTALLATION AND WIRING CONNECTIONS

A) In case the thermostat shall be installed either in a round built-in box (having distance between centres equal to 60mm), or on an uneven wall surface or in other particular locations, it is recommended to use a sub-base fitting (see paragraph "Optional Accessories"). Fix the fitting to the wall through two holes other than the ones marked as B-B, which are exclusively provided for the thermostat installation. (fig.7)

We use cookies to ensure that we give you the best experience on our website. If you continue to use this site we will assume that you are happy with it.

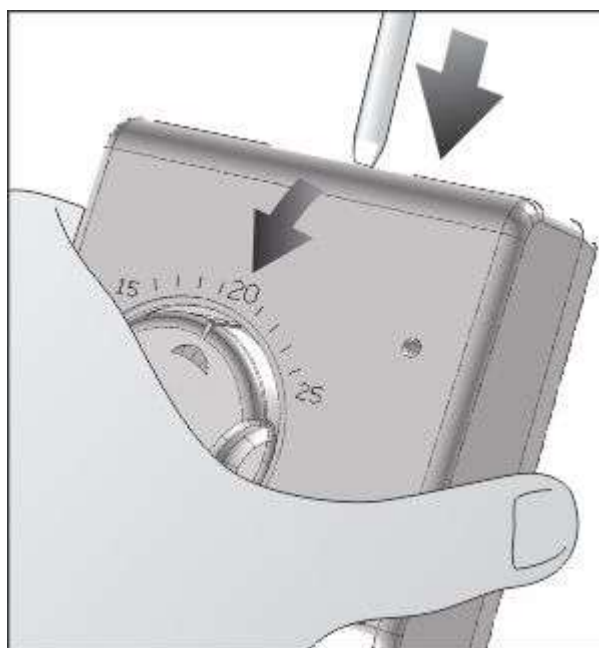
**Ok** [Read more](#)



**FIG. 7**

---

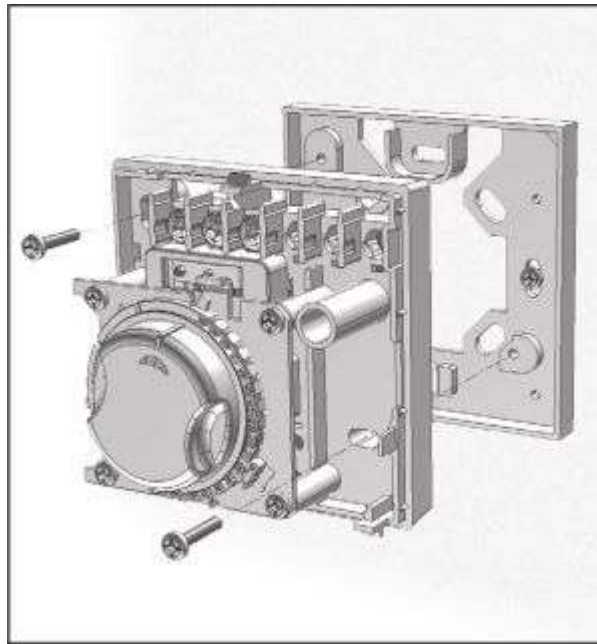
B) Remove the front cover from the thermostat base by releasing the provided clip (fig.8), then fix it to the wall (or to the sub-base fitting) through the provided holes (fig.9) and tighten it by means of suitable screws having max of 3,5 mm.



**FIG. 8**

We use cookies to ensure that we give you the best experience on our website. If you continue to use this site we will assume that you are happy with it.

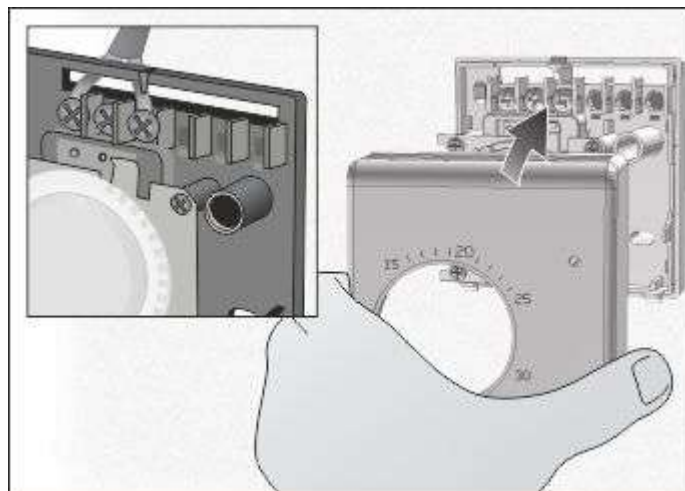
**Ok** [Read more](#)



**FIG. 9**

---

C) Thread the power supply wires through the slot in the base and connect them to the terminals as per the wiring diagram sketched inside the appliance. Snap the front cover back. (fig.10)



**FIG. 10**

---

## DESCRIPTION OF CONTROLS AND OPERATION

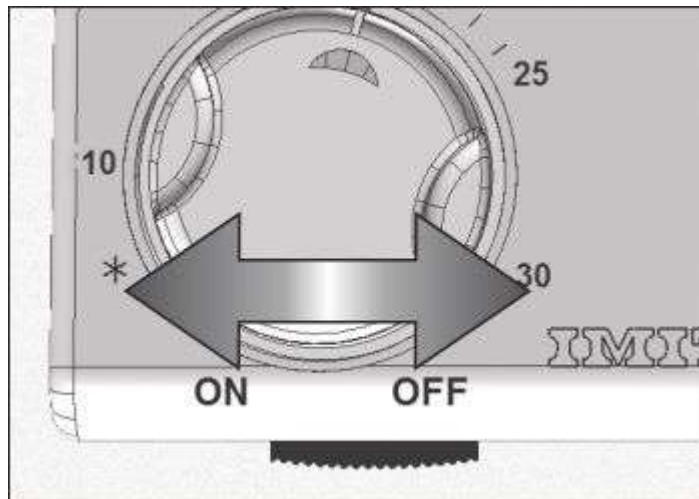
---

### TURNING THE THERMOSTAT ON AND OFF

On TA5-B, put the switch onto the “ON” position to start the equipment or onto the “OFF” to turn it off. (fig.12)

We use cookies to ensure that we give you the best experience on our website. If you continue to use this site we will assume that you are happy with it.

**Ok** [Read more](#)

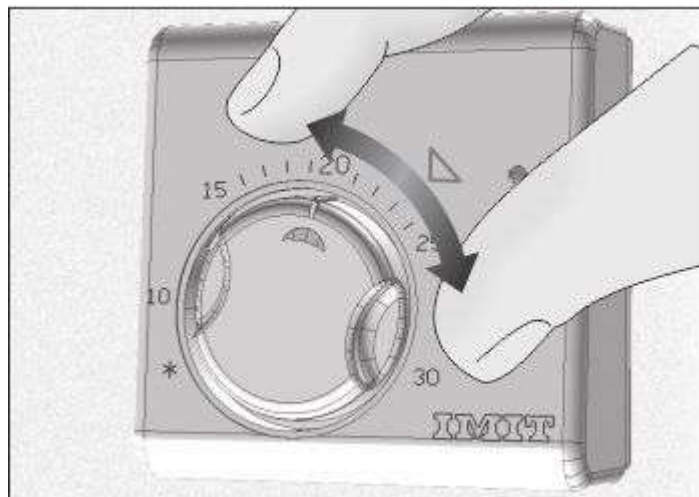


**FIG. 12**

---

## TEMPERATURE SETTING

When the appliance is connected and the electric power is switched on, set the desired room temperature simply by turning the temperature-adjusting knob to the corresponding value on the graduated scale. (fig.11)



**FIG. 11**

---

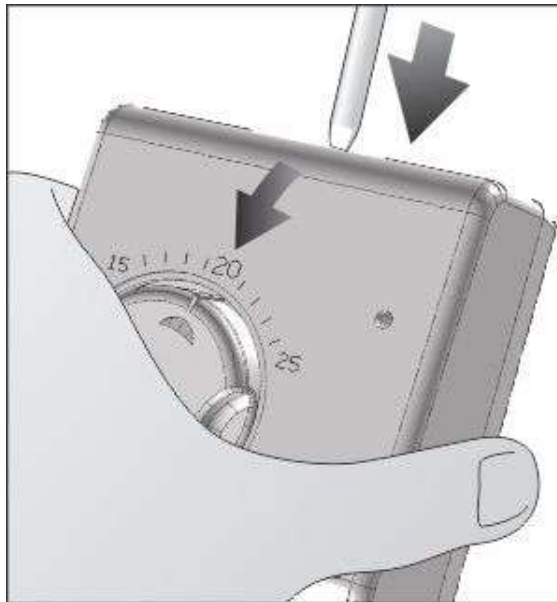
## TEMPERATURE RANGE RESTRICTION AND TEMPERATURE LOCK

**WARNING:**  
THE TEMPERATURE RANGE RESTRICTION AND TEMPERATURE LOCK OPERATIONS MUST BE CARRIED OUT BY QUALIFIED PERSONNEL ONLY.

### TEMPERATURE RANGE RESTRICTION

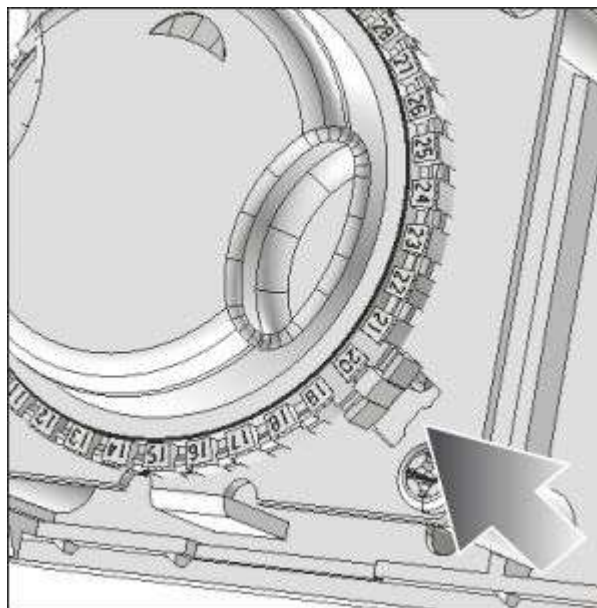
We use cookies to ensure that we give you the best experience on our website. If you continue to use this site we will assume that you are happy with it.

**Ok** [Read more](#)



**FIG. 8**

Insert the provided fitting (see paragraph “Optional Accessories”) in the knob at the desired limit points (min. and max.) according to the corresponding values marked on the knob body. Make sure that the metal retainer remains in its correct position between the min. and max. limit points. (fig.14); Snap the front cover back.



**FIG. 14**

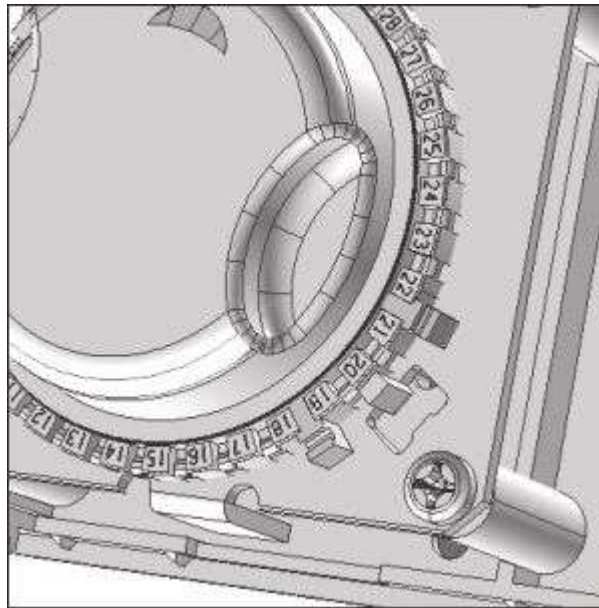
## TEMPERATURE LOCK

Position the knob to correspond with the desired temperature value, then separate the base from the cover by pressing the appropriate retaining tooth. (fig.8) Insert the two special accessories (see chapter “Accessories upon Request”) on the sides of the metal stop in order to prevent the handle from moving (fig.15); put the lid back on the product.

We use cookies to ensure that we give you the best experience on our website. If you continue to use this site we will assume that you are happy with it.

**Ok** [Read more](#)



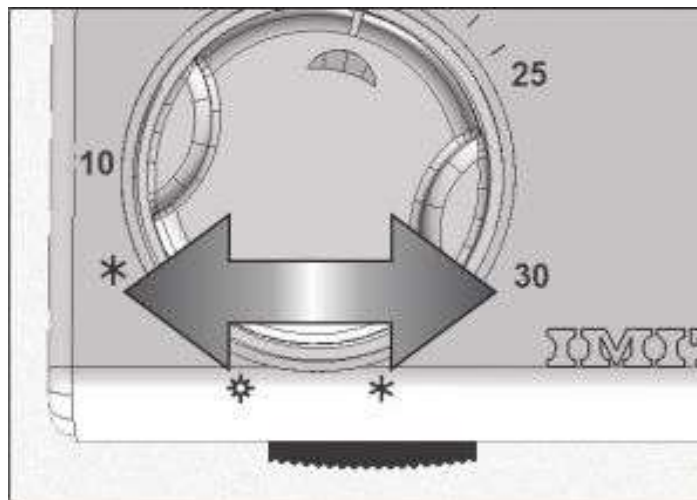


**FIG. 15**

---

## SUMMER/WINTER SWITCH

On TA5-C, put the switch onto the ☀ position to set up the “summer” operation mode (air conditioning system), or onto the “ ” position to set up the “winter” operation mode (heating system). (fig.13 ☀ ” position to set up the “winter” operation mode (heating system). (fig.13 ☀ ” position to set up the “winter” operation mode (heating system). (fig.13 ☀ ” position to set up the “winter” operation mode (heating system).



**FIG. 13**

---

## PROBLEM SOLVING



### **Problem**

The system does not start

We use cookies to ensure that we give you the best experience on our website. If you continue to use this site we will assume that you are happy with it.

**Ok** [Read more](#)

**Solution**

- Check if the wiring connections to the thermostat terminals were carried out as per wiring diagram
- Increase or reduce the set temperature value according to the system application (heating/air-conditioning system)
- Put switch onto ON position
- Make sure the switch is on  position (heating system) or on  position (air conditioning system)

**Problem**

The ambient temperature does not correspond to the temperature set on the thermostat

**Possible cause**

- Incorrect positioning of the thermostat within the room
- Air draughts coming from the electrical wires conduit

**Solution**

- Follow the instructions of paragraph “Placement of the thermostat”
- Seal the conduit to prevent warm or cold air draughts

**IMIT CONTROL SYSTEM s.r.l.**

Via Varallo Pombia,19  
Castelletto Sopra Ticino (NO)  
Tel (+39)0331941600  
Fax (+39)0331973100  
P.IVA IT02223920063  
www.imit.it - info@controlsys.it

We use cookies to ensure that we give you the best experience on our website. If you continue to use this site we will assume that you are happy with it.

**Ok Read more**