

## ESFR-25

### Pendent

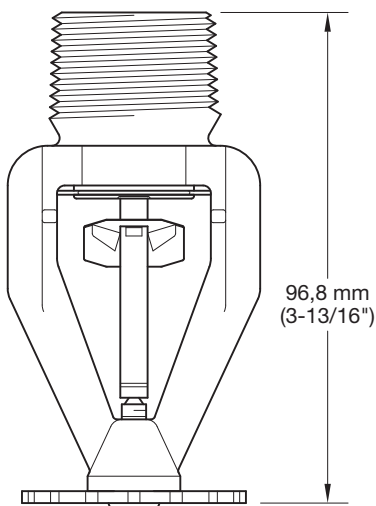


K Factor	K= 363 (25.2)
Thread Size	1" NPT or ISO 7-R1
Approvals	UL, C-UL, FM, NYC, LPCB, VdS, CE
Temperature	74°C (165°F), 100°C (212°F)
Sprinkler Finish	Natural Brass
SIN	TY9226
Wrench Type	W-TYPE 1
Tech Data Sheet	<b>TFP312</b>

Early Suppression, Fast Response (ESFR) ■ Solder type ■ The TYCO Model ESFR-25 Pendent Sprinklers are listed by UL for Specific Applications with a ceiling height greater than 13,7 m (45 ft.) up to and including 14,6 m (48 ft.), and a storage arrangement up to and including 13,1 m (43 ft.) ■ Direct attack on burning fuel by improved heavy sprinkler discharge ■ Patented frame design substantially reduces the frame shadow effects that often produce non-uniformity in spray pattern, novel orifice seal and unique fast response link design are the very latest in sprinkler technology ■ Suppression-mode sprinklers that are especially advantageous as a means of eliminating the use of in-rack sprinklers when protecting high-piled storage.

### ESFR-25, K=363 (25.2), 1" ISO or NPT

Pendent • K=363 [25.2]  
1" NPT or ISO • SIN TY9226



Pendent Part No.		Temp.		Finish Code	Approvals & Listings											
1" NPT SIN TY9226	1" ISO 7-R1 SIN TY9226	°C	°F		CE	VdS	LPCB	FM	UL	CE	CNBOP	PAVUS	Ukrainian	Belarusian	Fire Academy of Russia	T/S/U
584411165	584421165	74	[165]	1	√	√	√	√	√	√	√	√	√	√	√	√
584411214	584421214	100	[212]	1	√	√	√	√	√	√	√	√	√	√	√	√

Finish Code: 1=Plain Brass