

### Application

- Can be used to transfer clean water or other liquids similar to water in physical and chemical properties
- Suitable for small living water supply, automatic water sprinkler system, small air conditioner system or supporting equipment etc.

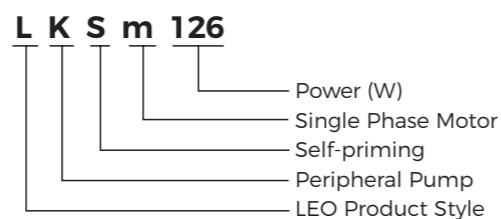
### Pump

- Special anti-rust treatment
- Brass impeller
- AISI 304 shaft
- Max. liquid temperature: +60°C
- Max. suction: +8 m

### Motor

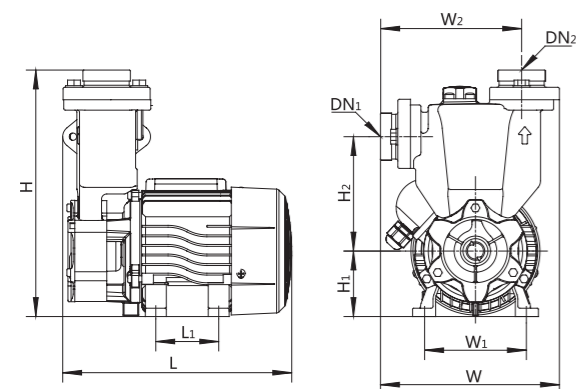
- Low noise&Long life bearing
- Cooper winding
- Built-in thermal protector
- Insulation class: F
- Enclosures class: IPX4
- Max. ambient temperature: +50°C

### Identification Codes



### Technical Data

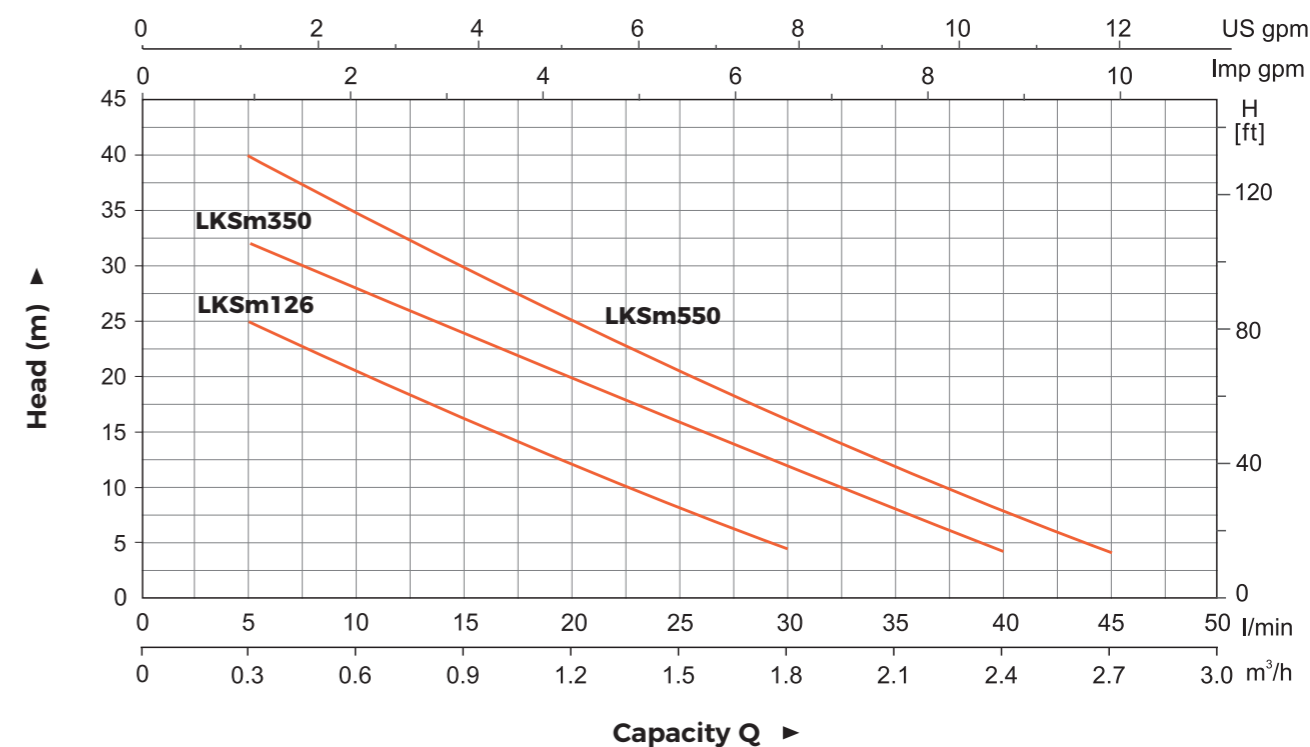
Model	Power		Q(m <sup>3</sup> /h)											
	kW	HP	0	0.3	0.6	0.9	1.2	1.5	1.8	2.1	2.4	2.7		
LKSm126	0.125	0.17	H (m)											
LKSm350	0.35	0.47												
LKSm550	0.55	0.75												



### Dimension

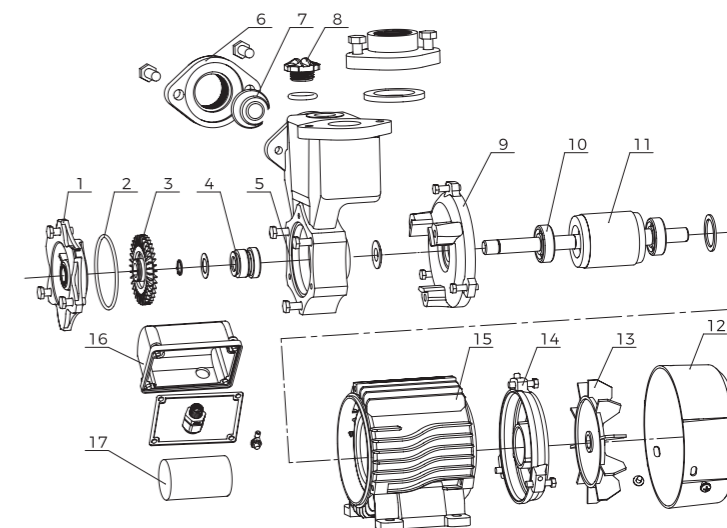
Model	DN1	DN2	L (mm)	W (mm)	H (mm)	L1 (mm)	W1 (mm)	W2 (mm)	H1 (mm)	H2 (mm)
LKSm126			219	165	214	60	97	133	63	88.5
LKSm350	1"	1"	215	166	239	60	97	134	63	110
LKSm550			259	177	253	90	112	146	75	113.5

### Hydraulic Performance Curves



### Material Table

No.	Part	Material
1	Pump cover	Cu
2	O-ring	NBR
3	Impeller	HPb59-1
4	Mechanical seal	
5	Pump body	HT200
6	Water inlet connector	HT200
7	Check valve	
8	Filling plug	HPb59-1
9	Pump support	HT200
10	Deep groove ball bearing	
11	Rotor	
12	Fan cover	PP
13	Fan	PP-GF10
14	End plate	ADC12
15	Stator	
16	Cover box	PP-GF20
17	Capacitor	



### Package Information

Model	GW (Kgs)	L (mm)	W (mm)	H (mm)	Quantity (PCS/20'TEU)
LKSm126	6.6	250	205	250	2205
LKSm350	7.5	250	205	270	1960
LKSm550	10.8	295	210	295	1526

